

# **GTB** GP

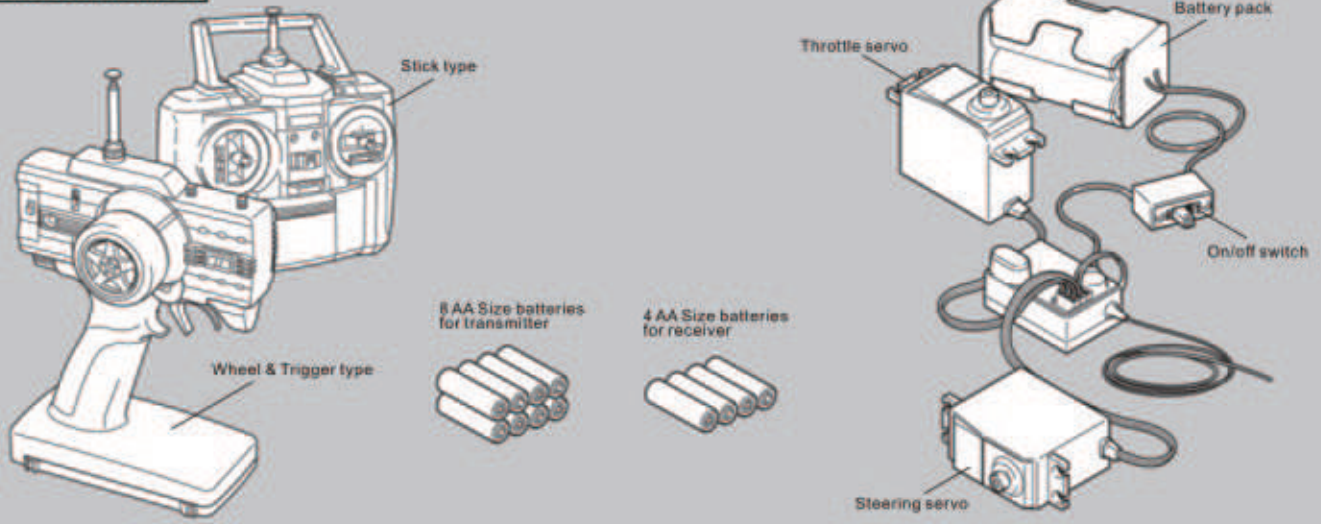


**INSTRUCTION MANUAL**  
**Hobao Racing**

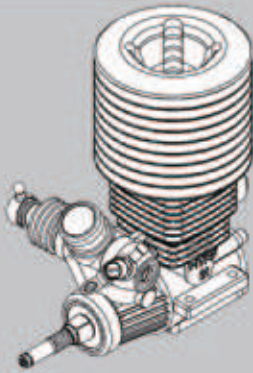
# GTB<sub>GP</sub>

## Required

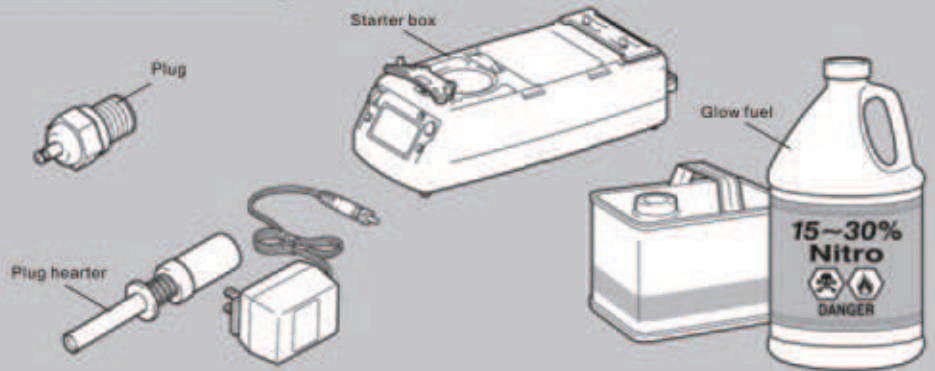
### Radio control equipment set



### Mac★28 Engine series



### Required for engine starting



### Tools recommended

Hex wrench with 2.5mm



2mm



1.5mm



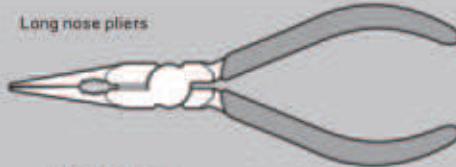
⊕ Screwdriver (small)



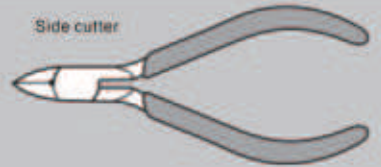
⊖ Screwdriver



Long nose pliers



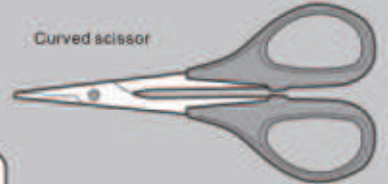
Side cutter



Modeling knife



Curved scissor



Instant cement



Thread lock



Instant cement



Rubber cement



Hex wrench with

1.5mm



2mm

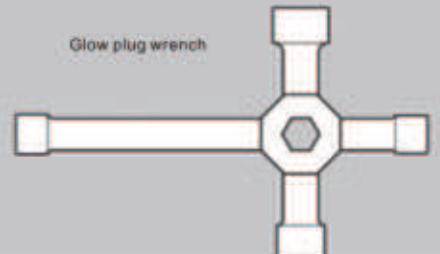
2.5mm

3mm

Fuel bottle



Glow plug wrench



# Shock Assembly



90030(90071)  
M2.6 Nut x4



90030(90071)  
3.1x7x0.25mm x4  
Washer



90036  
O-ring Shield x8



90036  
4x8mm x8  
O-Ring

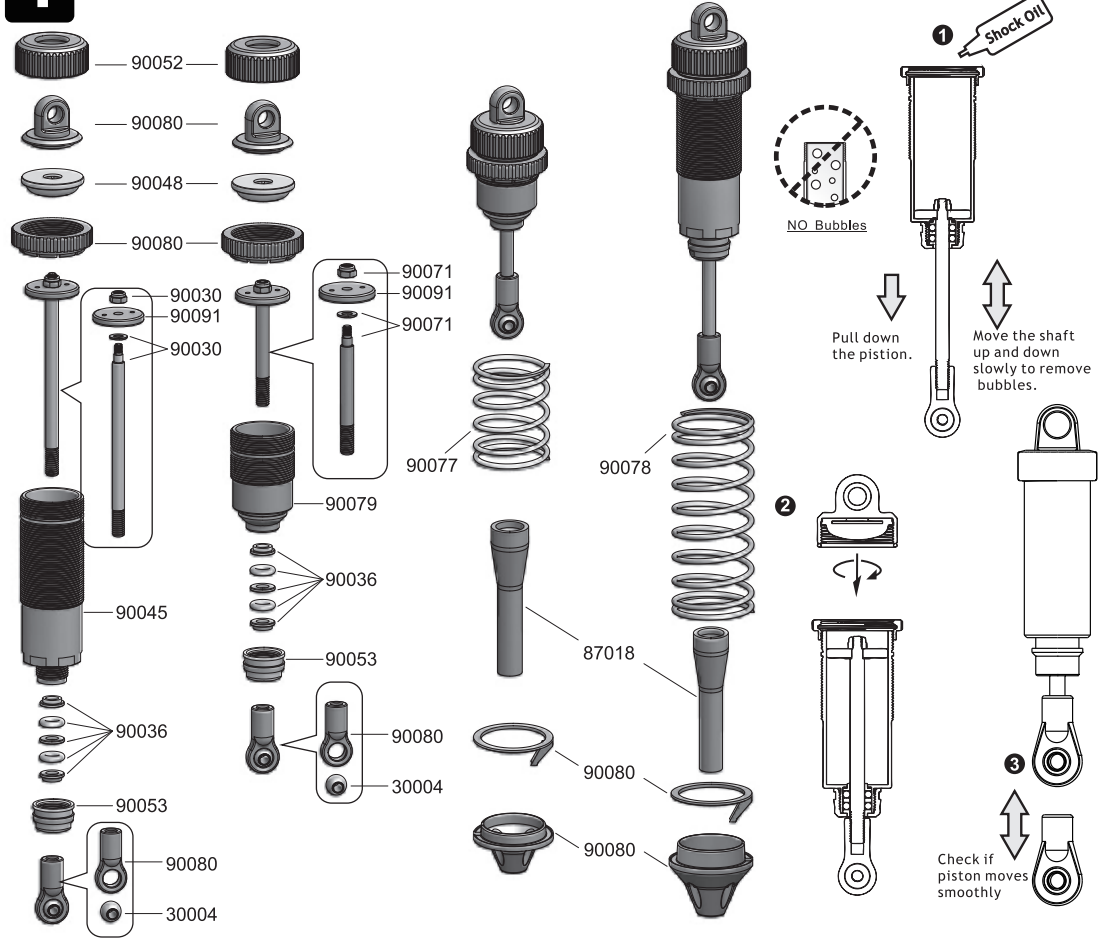


90036  
4.05x7.98x1.2mm x4  
Washer



30004  
6.8mm x4  
Ball

### 1



# 2-Speed Gear Assembly



84176  
8x10x1mm x2  
Washer



84176  
8x10x0.3mm x1  
Washer



84177  
3x5mm x8  
F/H Screw



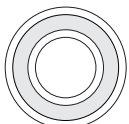
84176  
4x4mm x1  
Set Screw



84176  
4x6mm x1  
Set Screw

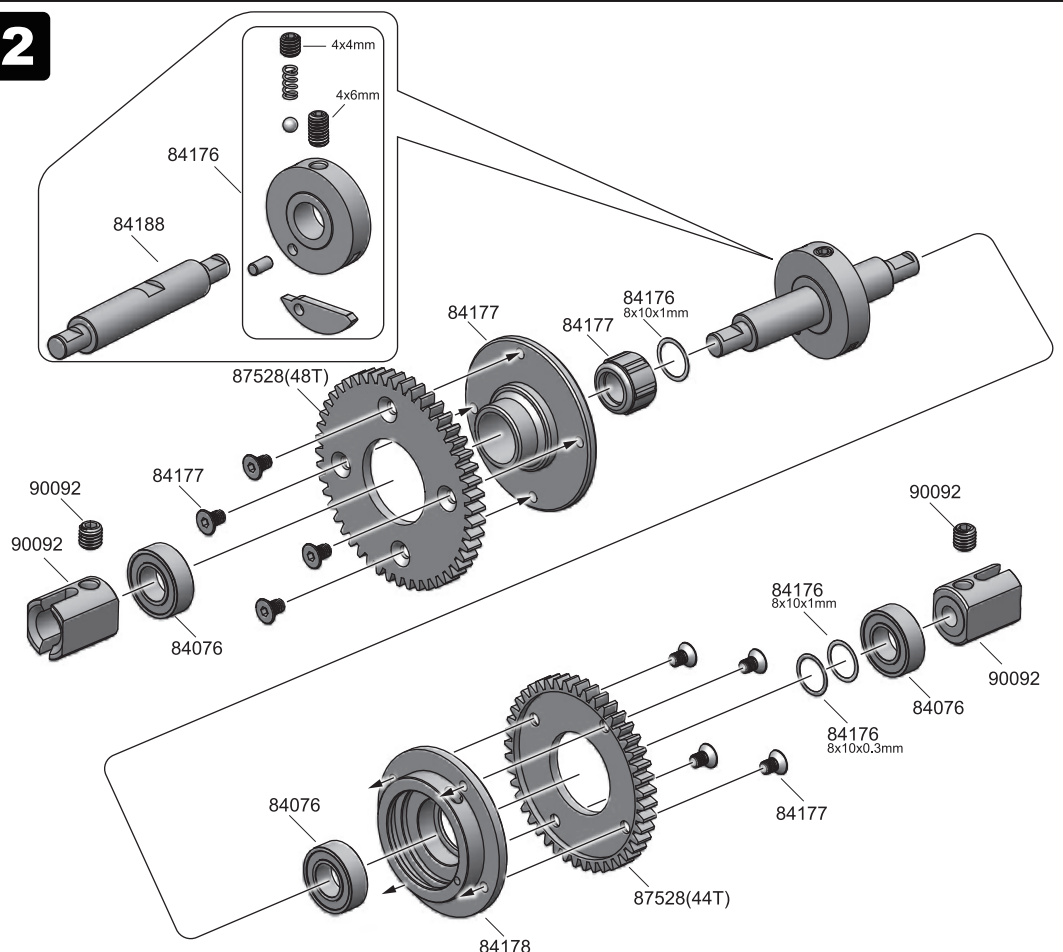


90092  
5x5mm x2  
Set Screw





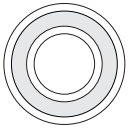



84076  
8x16x5mm x3  
Ball Bearing

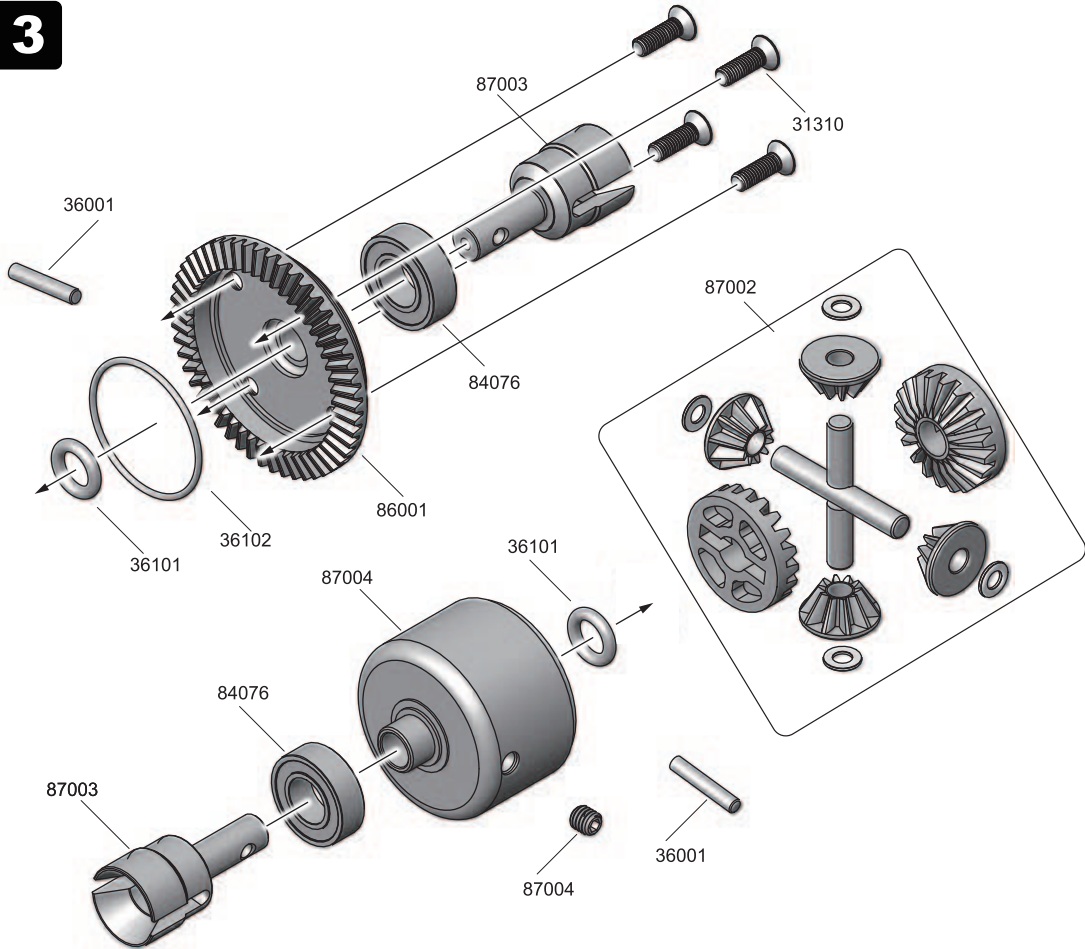
### 2





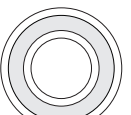
## Front/Rear Differential Assembly

-  87004  
4x4mm x1  
Set Screw
-  31310  
3x10mm x4  
F/H Screw
-  36001  
2.5x13.8mm x2  
Pin
-  36101  
5.8x1.9mm x2  
O-Ring
-  84076  
8x16x5mm x2  
Ball Bearing
-  87002  
4x26.8mm x2  
Shaft

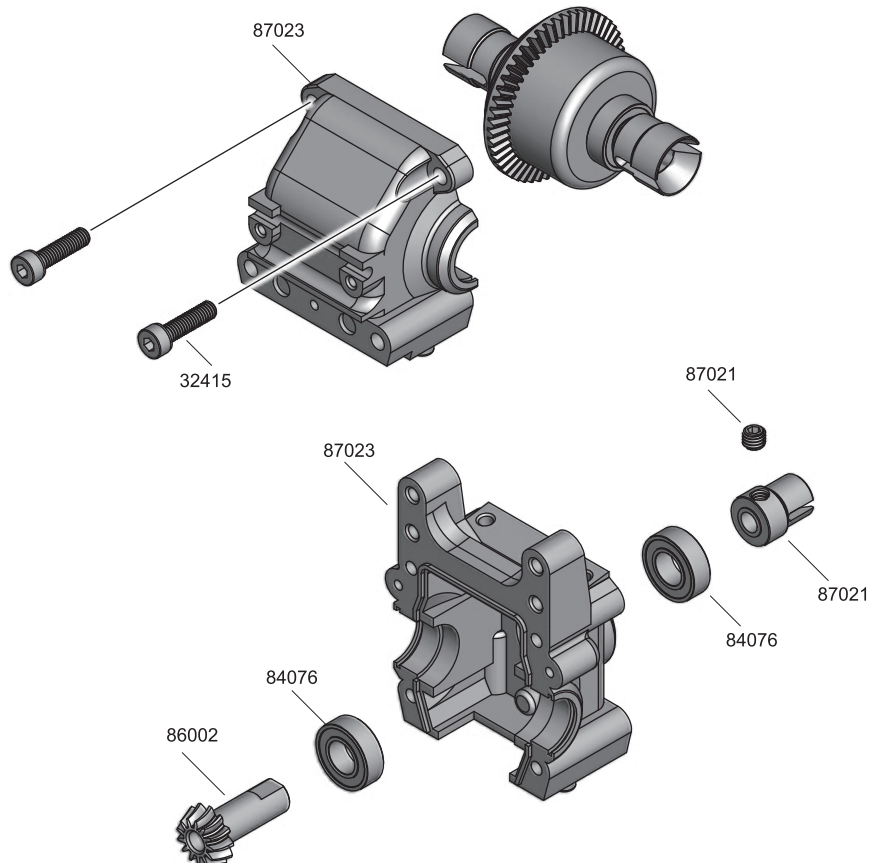
**3**



## Front/Rear Gear Box Assembly

-  87021  
5x4mm x1  
Set Screw
-  32415  
4x15mm x2  
Cap Screw
-  84076  
8x16x5mm x2  
Ball Bearing

**4**



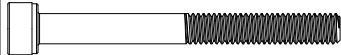
## Front Lower Arm Holder Assembly



33310  
3x10mm x2  
B/H Screw

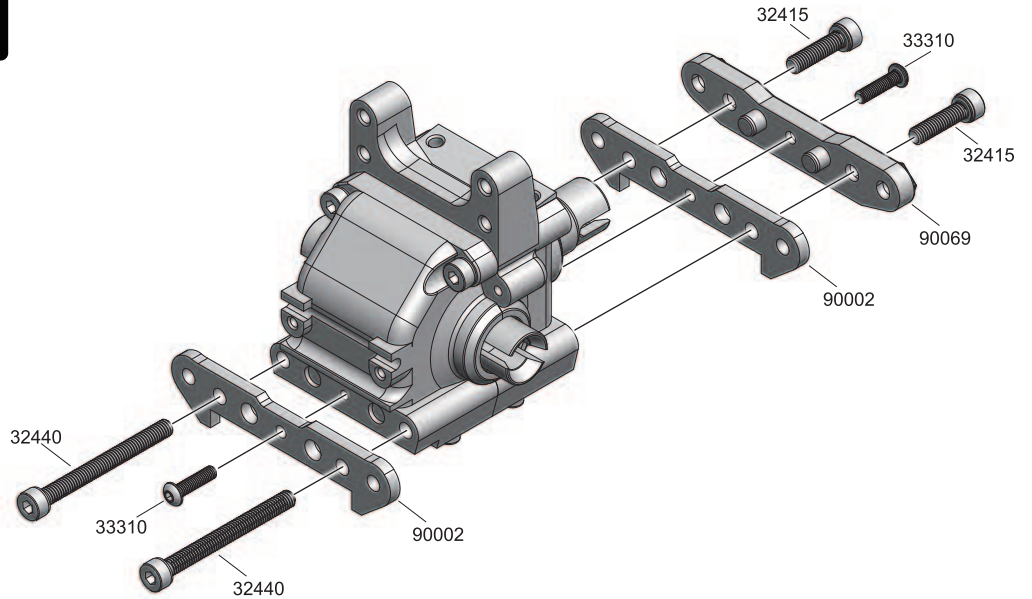


32415  
4x15mm x2  
Cap Screw



32440  
4x40mm x2  
Cap Screw

**5**



## Front Shock Tower Assembly



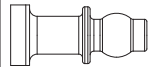
33312  
3x12mm x2  
B/H Screw



32316  
3x16mm x2  
Cap Screw

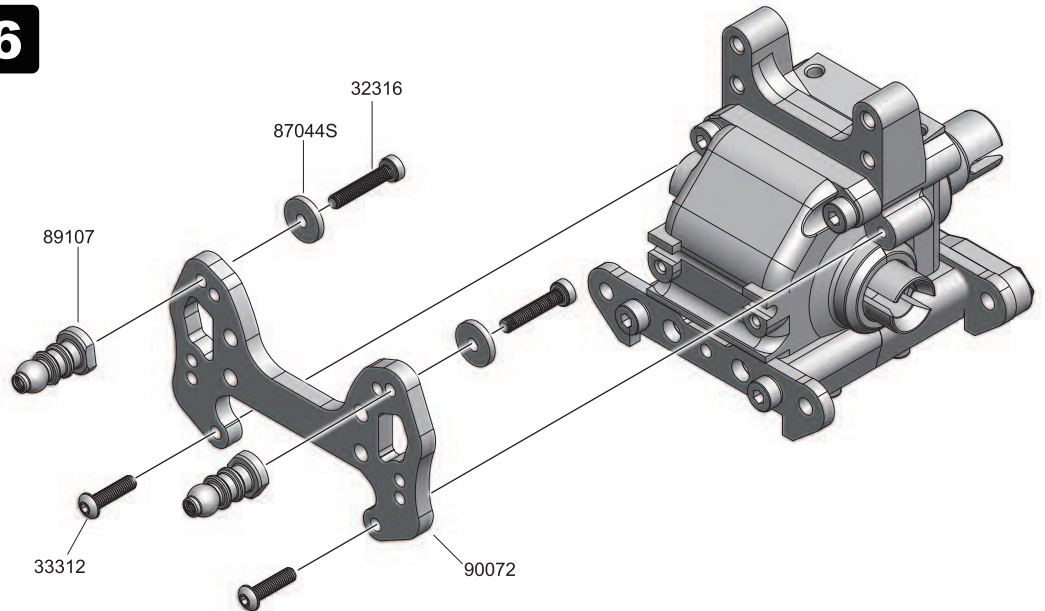


87044S  
3x10mm x2  
Alum. Washer



89107  
6.8mm x2  
Shock Ball Stud

**6**



## Steering Knuckle Assembly



87027  
5x5mm x2  
Set Screw



90038  
3x8mm x4  
Set Screw



31318  
3x18mm x2  
F/H Screw



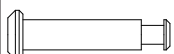
39008  
M3 Nut x2



87027  
3x16.8mm x2  
Pin

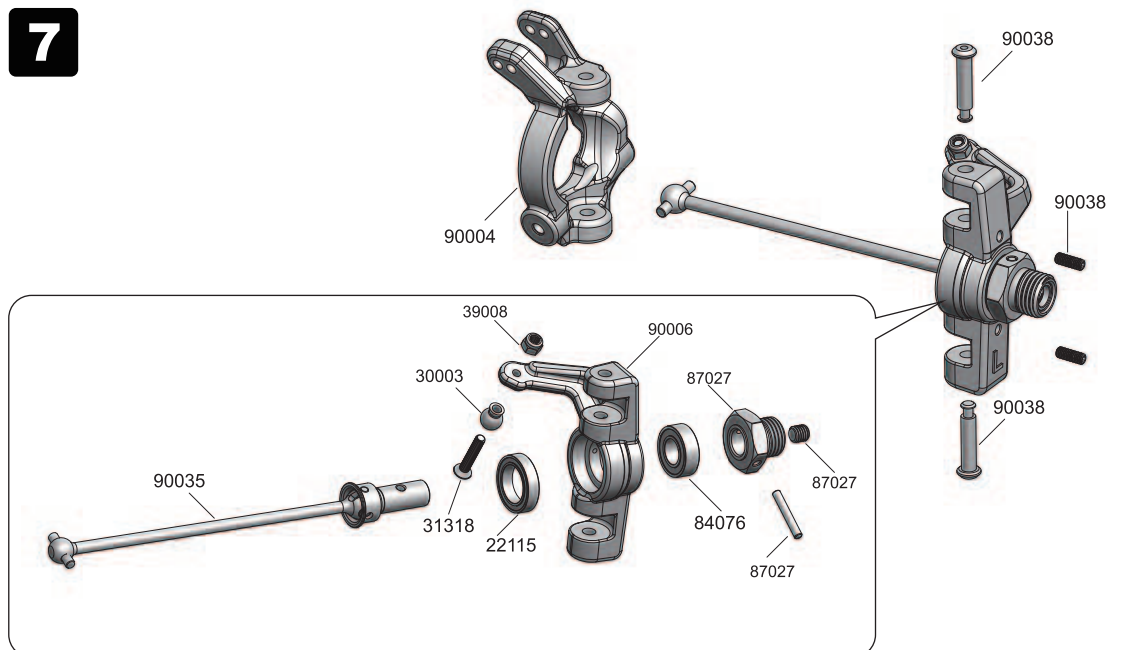


30003  
6.8mm x2  
Steering Ball


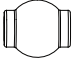



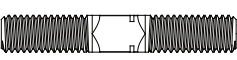


90038  
Hinge Pin x4

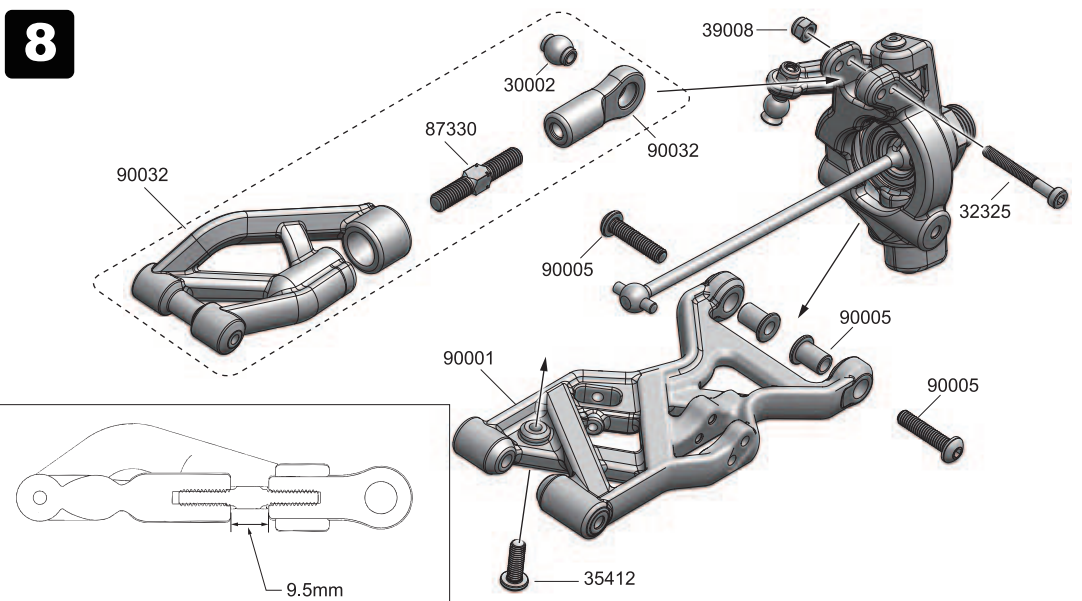
**7**





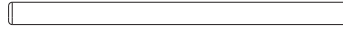
## Front Suspension Arm Assembly 1

	39008 M3 Nut x2
	30002 7.8mm x2 Ball Long
	35412 4x12mm x2 B/H Screw
	90005 4x18mm x4 B/H Screw
	32325 3x25mm x2 Cap Screw
	87330 5x31mm x2 Turnbuckle

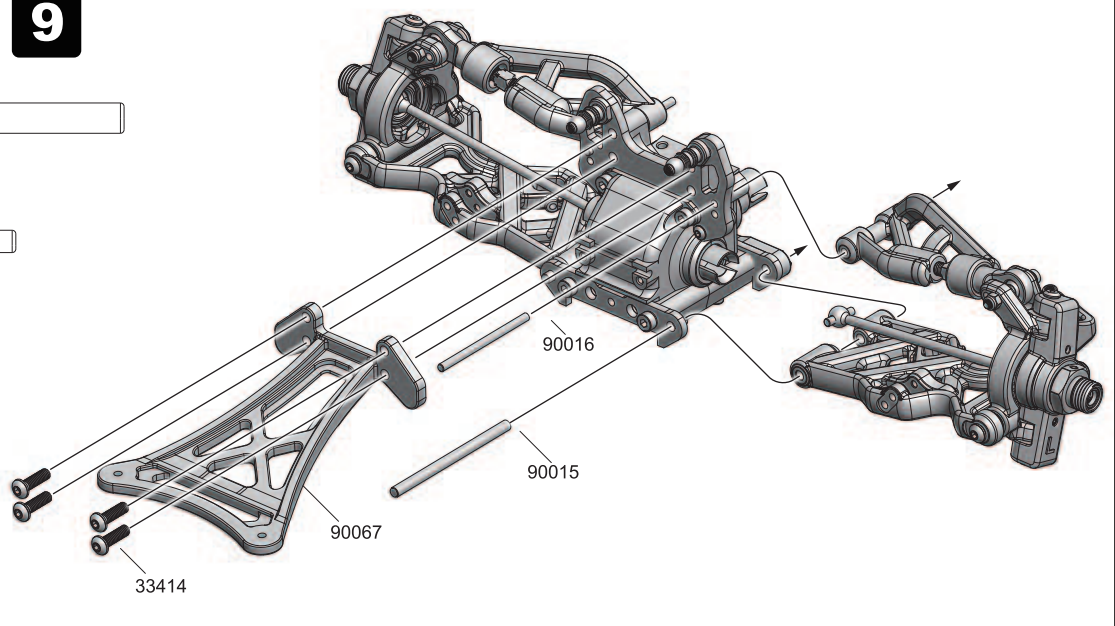
**8**







## Front Suspension Arm Assembly 2

	33414 4x14mm x4 B/H Screw
	90015 4x63mm x2 Shaft
	90016 3x48mm x2 Shaft

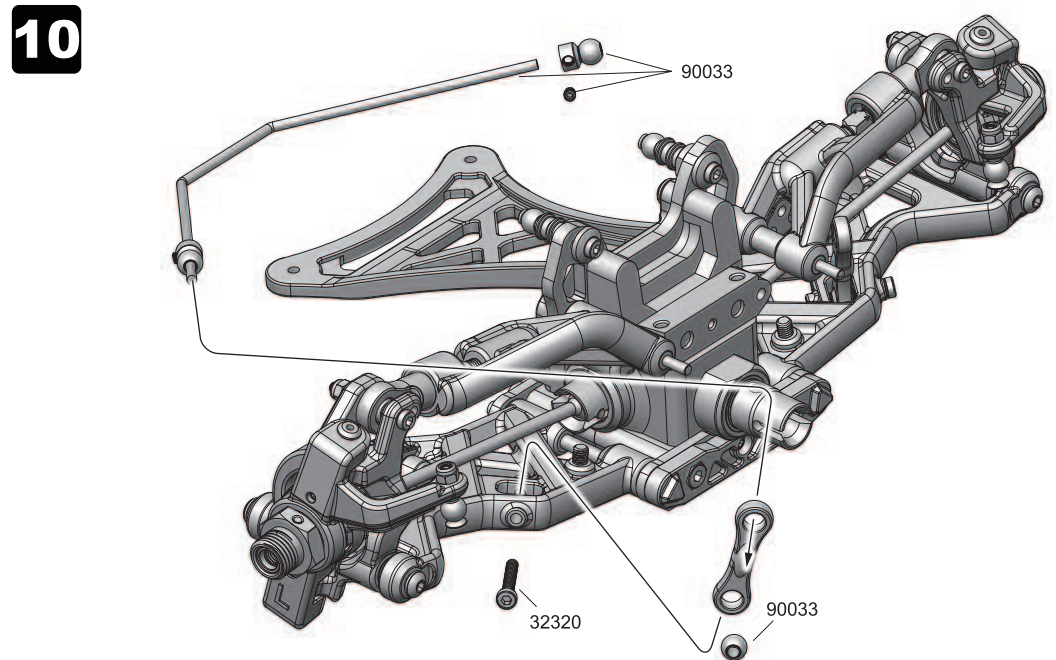
**9**



## Front Stabilizer Assembly

	90033 3x3mm x2 Set Screw
	32320 3x20mm x2 Cap Screw
	90033 6.8mm x2 Ball
	90033 6.8mm x2 Pivot Ball

**10**

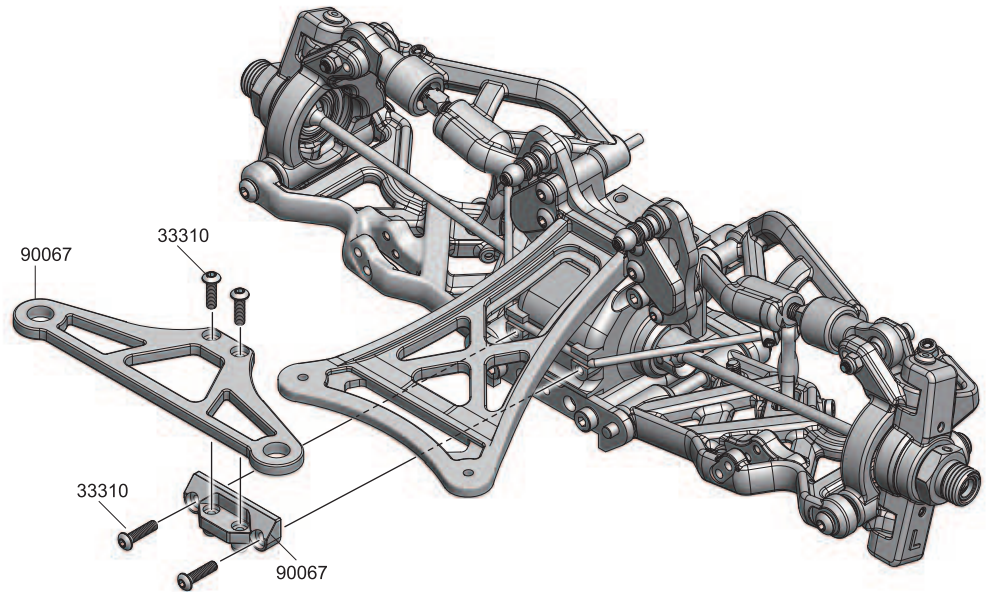


## Front Bumper Assembly 1



33310  
3x10mm x4  
B/H Screw

**11**



## Front Bumper Assembly 2

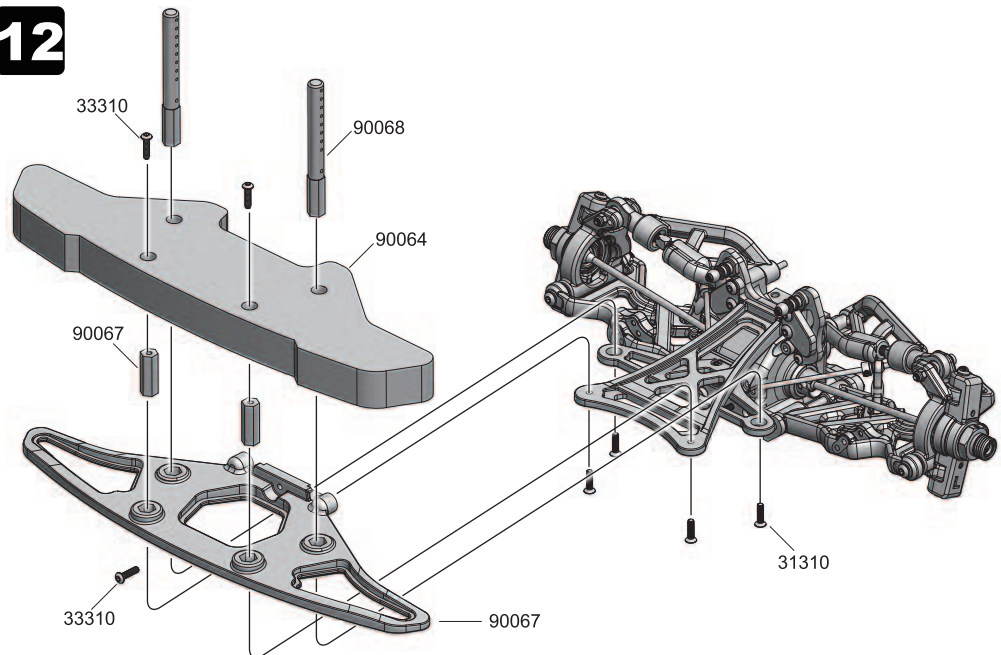


33310  
3x10mm x3  
B/H Screw

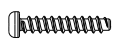


31310  
3x10mm x4  
F/H Screw

**12**

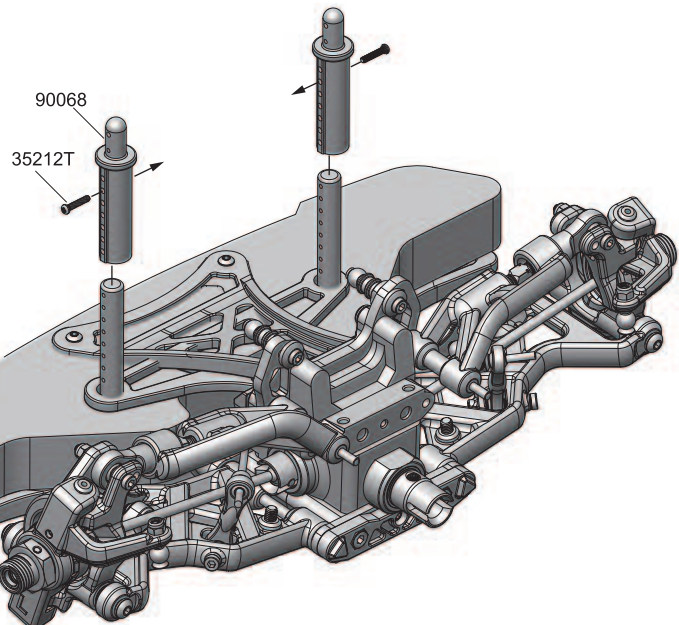


## Front Body Post Assembly




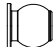

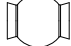
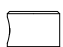


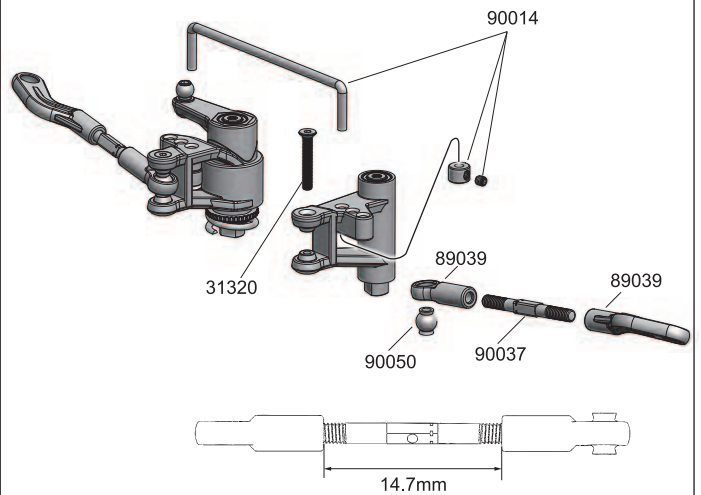
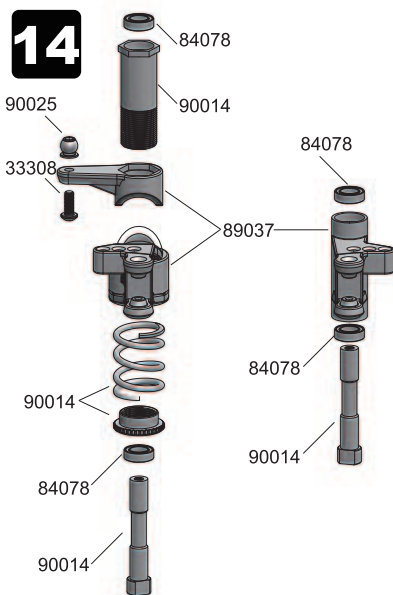
35212T  
2x12mm x2  
B/H Tap Screw

**13**





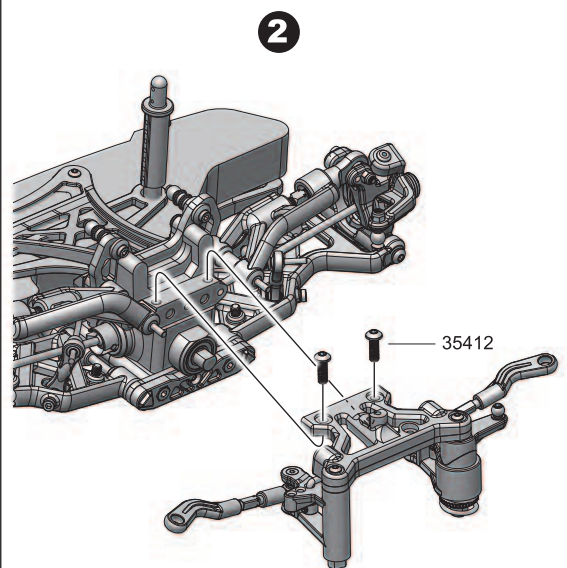
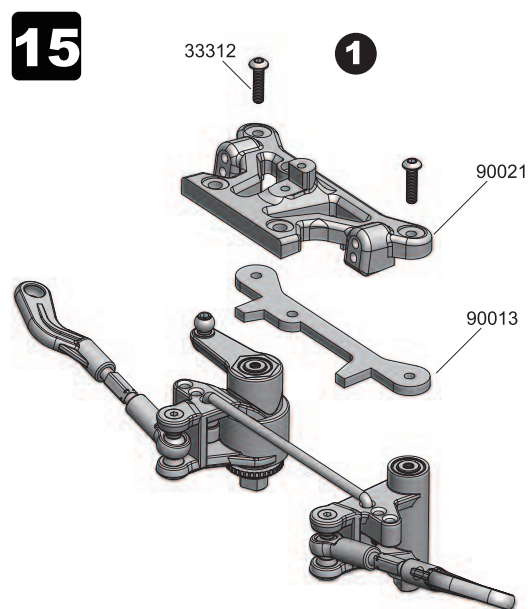
## Servo Saver Assembly 1

	38303 3x3mm x2 Set Screw
	33308 3x8mm x1 B/H Screw
	31320 3x20mm x2 F/H Screw
	90025 5.8mm x1 Ball Flanged
	84078 6x10x3mm x4 Ball Bearing
	90050 Ball Flanged x2
	90014 Collet x2








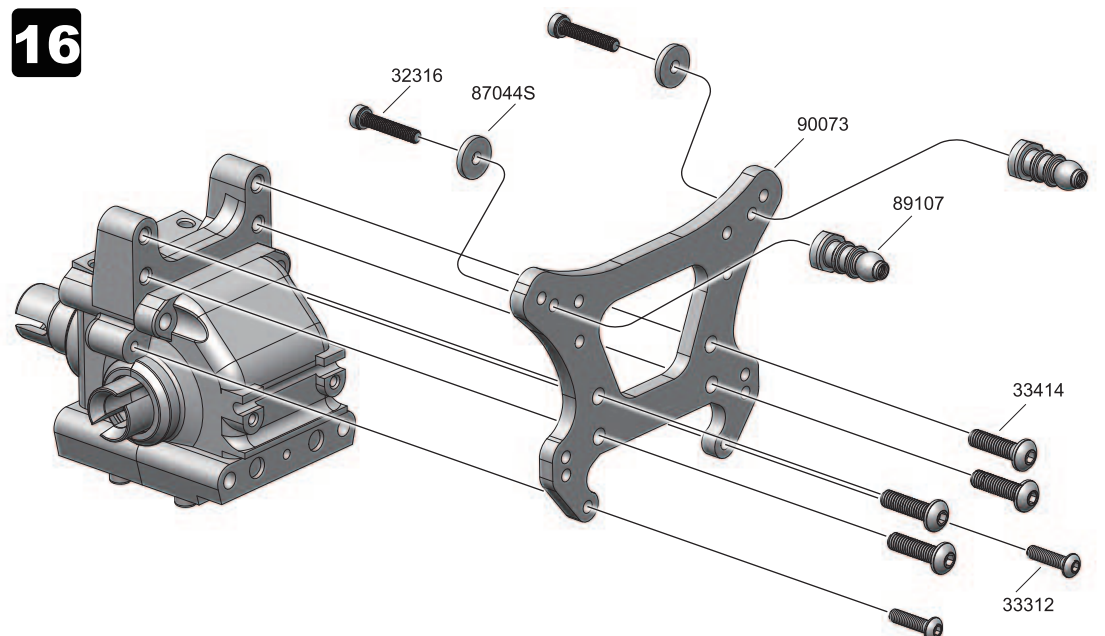
## Servo Saver Assembly 2

	33312 3x12mm x2 B/H Screw
	35412 4x12mm x2 B/H Screw





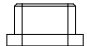
## Rear Shock Tower Assembly

	33312 3x12mm x2 B/H Screw
	33414 4x14mm x4 B/H Screw
	32316 3x16mm x2 Cap Screw
	89107 6.8mm x2 Shock Ball Stud
	87044S 3x10mm x2 Alum. Washer

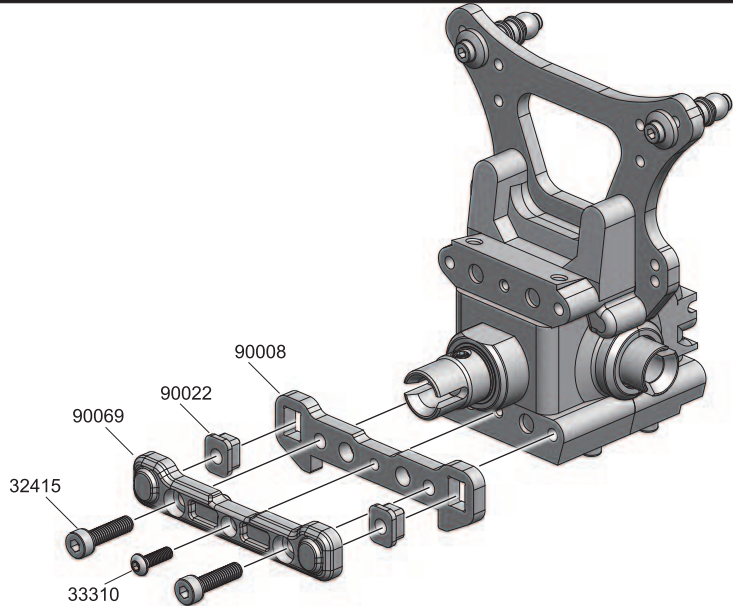





## Rear Lower Arm Holder Assembly

	33310 3x10mm x1 B/H Screw
	32415 4x15mm x2 Cap Screw
	90022 Adjustable Insert x2

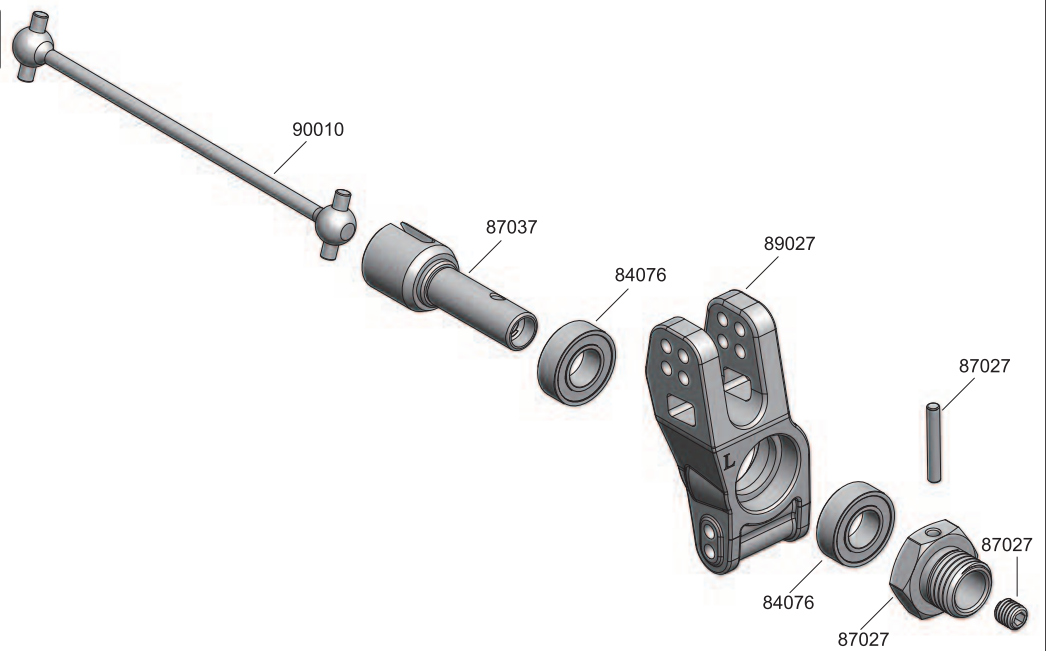
**17**







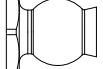

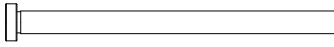
## Rear Hub Assembly

	87027 5x5mm x2 Set Screw
	87027 2.5x16.8mm x2 Pin
	84076 8x16x5mm x4 Ball Bearing

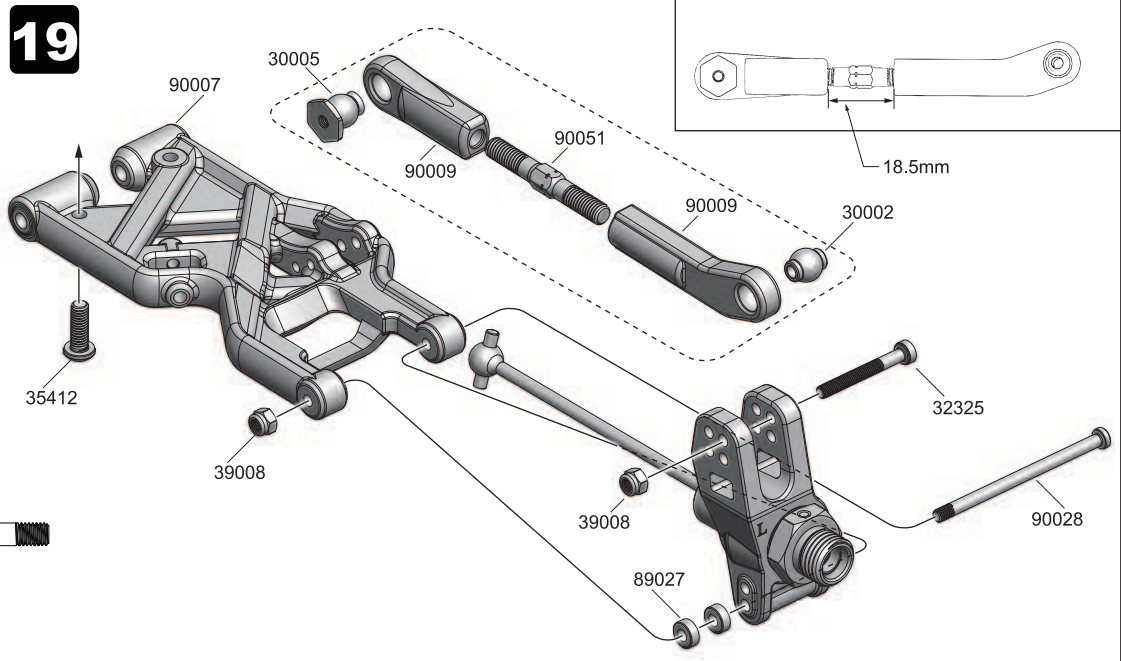
**18**



## Rear Suspension Arm Assembly 1

	39008 M3 Nut x2
	30002 7.8mm x2 Ball Long
	35412 4x12mm x2 B/H Screw
	89027 3.1x6.5x2mm x4 Washer
	30005 Ball Flanged x2
	32325 3x25mm x2 Cap Screw
	90028 3x50mm x2 Cap Screw

**19**



## Rear Suspension Arm Assembly 2



90022  
Adjustable Insert  
x2

**20**



32316  
3x16mm x2  
Cap Screw



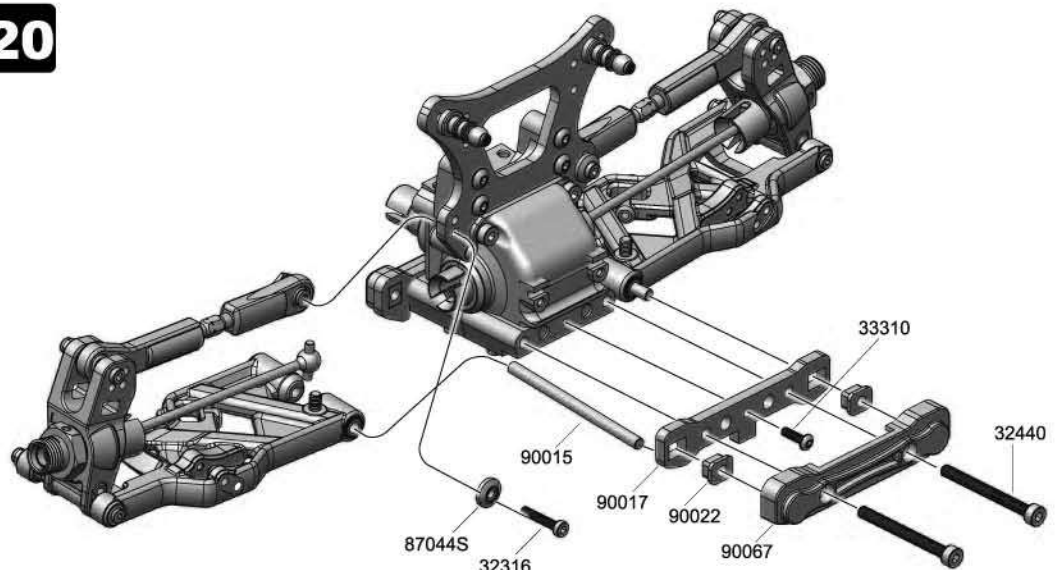
87044S  
3x10mm x2  
Alum. Washer



33310  
3x10mm x1  
B/H Screw



32440  
4x40mm x2  
Cap Screw



## Rear Stabilizer Assembly



87044S  
3x10mm x2  
Alum. Washer

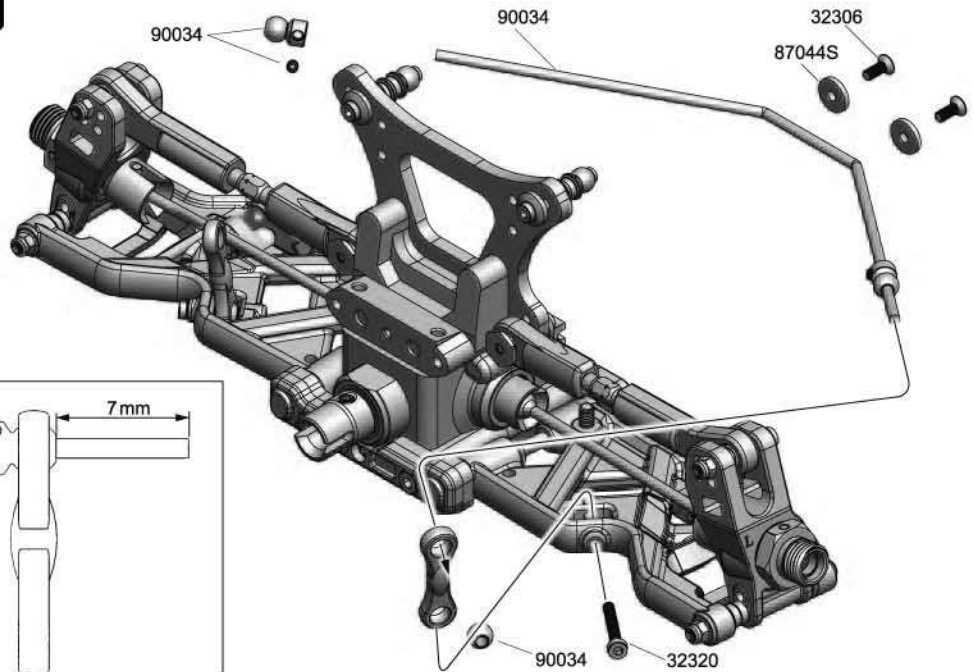
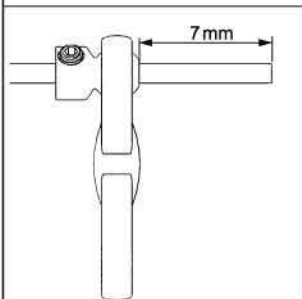
**21**



32306  
3x6mm x2  
Cap Screw



32320  
3x20mm x2  
Cap Screw



## Rear Body Post Assembly

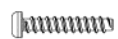


32415  
4x15mm x2  
Cap Screw

**22**



31315  
3x15mm x1  
F/H Screw



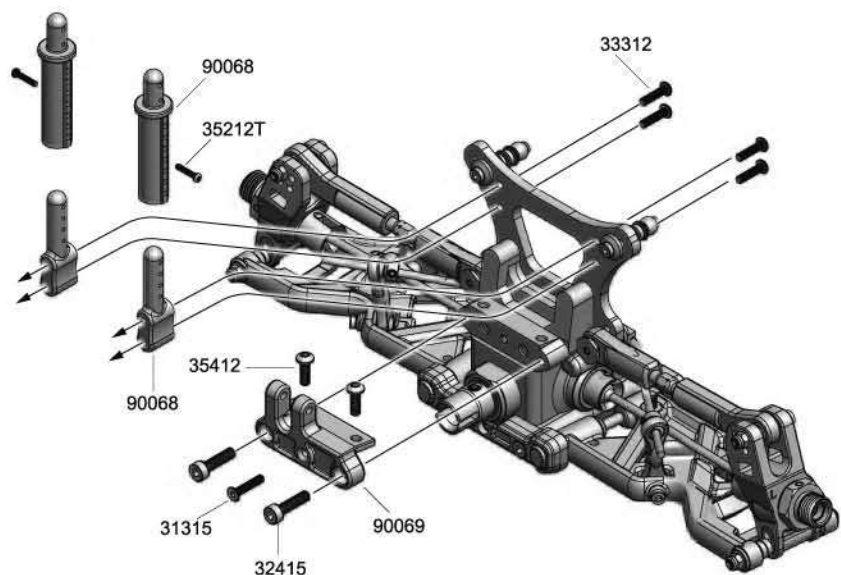
35212T  
2x12mm x2  
B/H Tap Screw



33312  
3x12mm x4  
B/H Screw



35412  
4x12mm x2  
B/H Screw



## Rear Chassis Stiffener Assembly

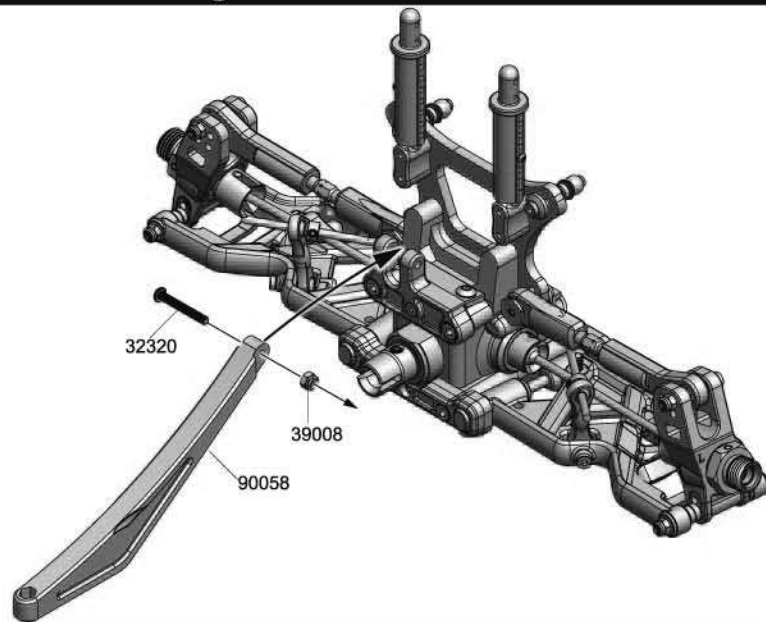


39008  
M3 Nut x1



32320  
3x20mm x1  
Cap Screw

**23**



## Rear Clip Assembly



39008  
M3 Nut x1

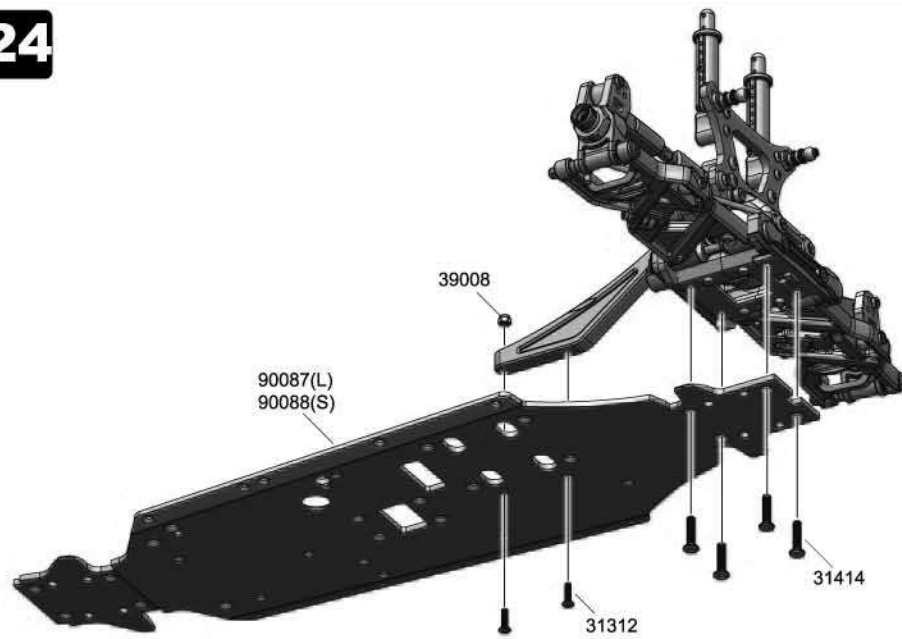


31312  
3x12mm x2  
F/H Screw



31414  
4x14mm x4  
F/H Screw

**24**

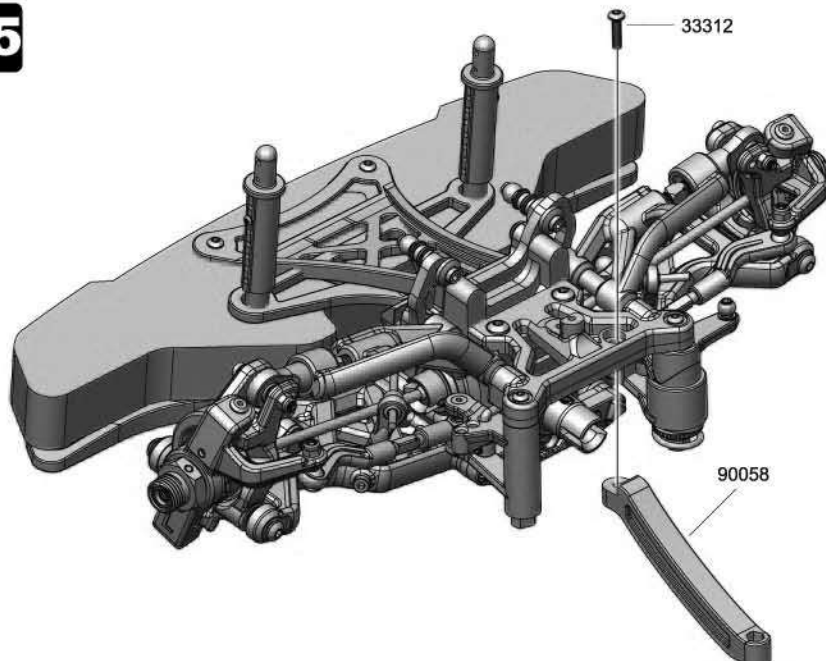


## Front Chassis Stiffener Assembly



33312  
3x12mm x1  
B/H Screw

**25**



## Front Clip Assembly



39008  
M3 Nut x1

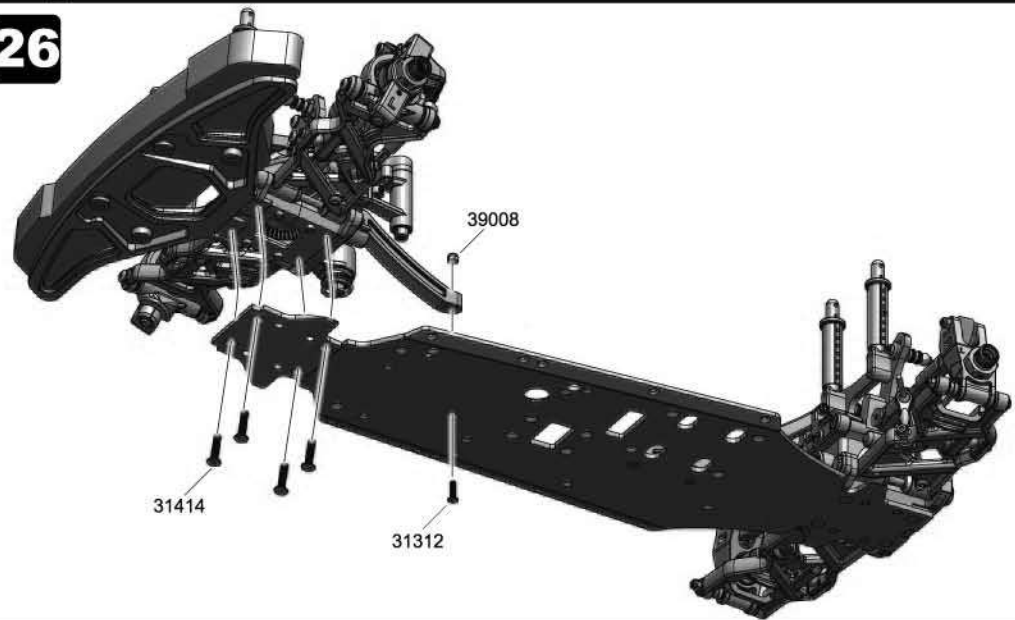


31414  
4x14mm x4  
F/H Screw



31312  
3x12mm x1  
F/H Screw

**26**

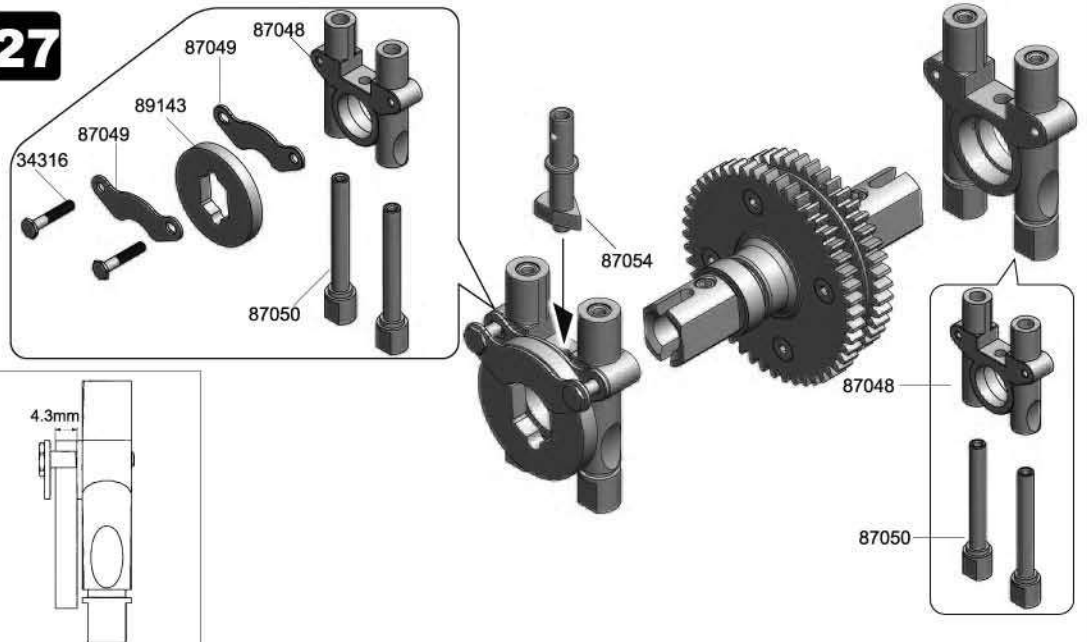


## 2-Speed Gear Mount Assembly 1



34316  
3x16.5mm x4  
Hex Screw

**27**



## 2-Speed Gear Mount Assembly 2

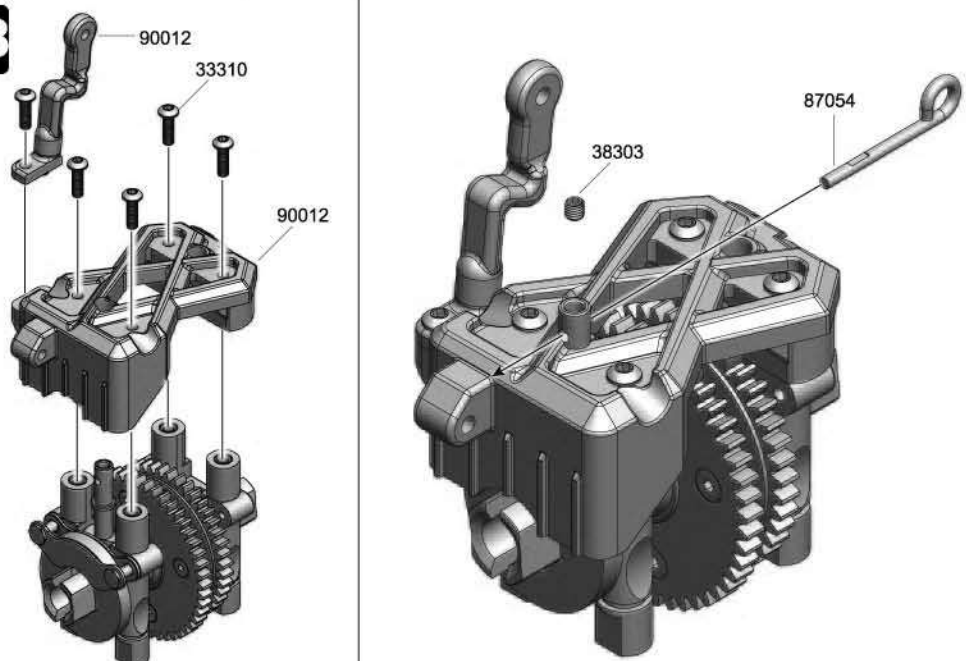


38303  
3x3mm x1  
Set Screw



33310  
3x10mm x5  
B/H Screw

**28**

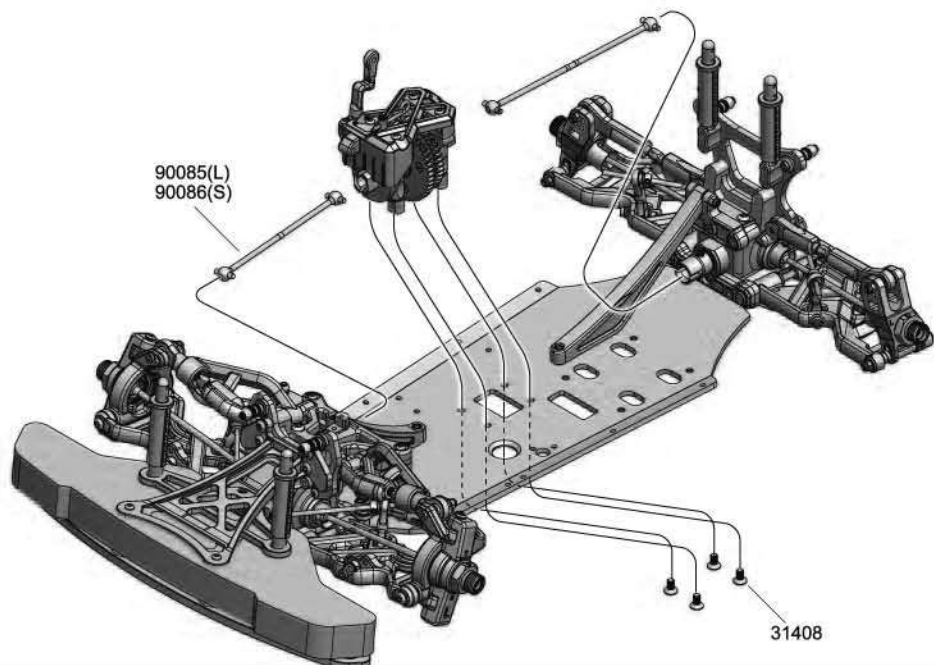


## 2-Speed Gear Unit Assembly



31408  
4x8mm x4  
F/H Screw

**29**



## Radio Tray Assembly 1



33305  
3x5mm x3  
B/H Screw

**30**



33310  
3x10mm x1  
B/H Screw



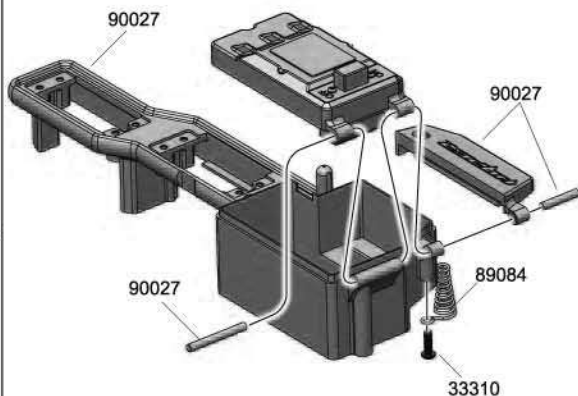
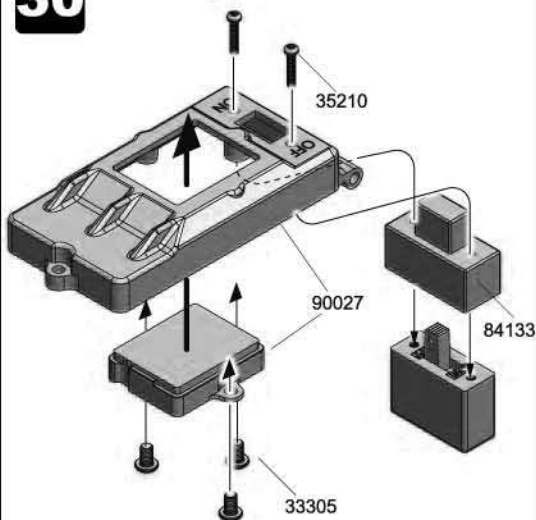
35210  
2x10mm x2  
B/H Screw



90027  
3x18.8mm x1  
Pin



90027  
3x27.8mm x1  
Pin

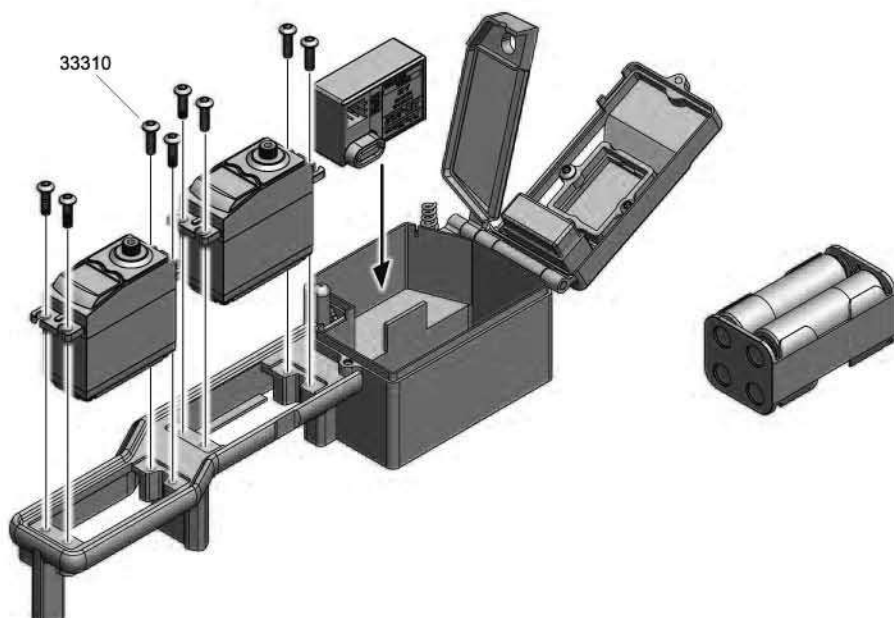


## Radio Tray Assembly 2



33310  
3x10mm x8  
B/H Screw

**31**



## Servo Horn Assembly 1



35208  
2x8mm x2  
B/H Screw



31310  
3x10mm x1  
F/H Screw

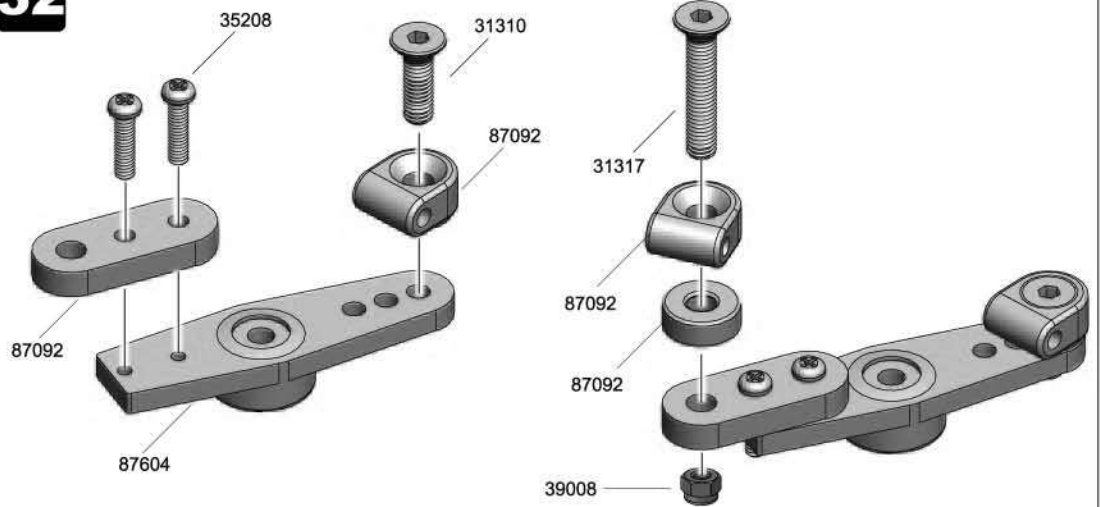


31317  
3x17mm x1  
F/H Screw



39008  
M3 Nut x1

**32**



## Servo Horn Assembly 2

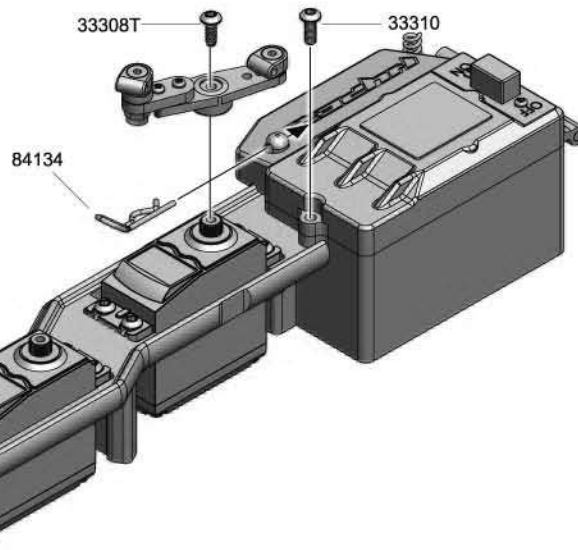


33308T  
3x8mm x1  
B/H Tap Screw



33310  
3x10mm x1  
B/H Screw

**33**

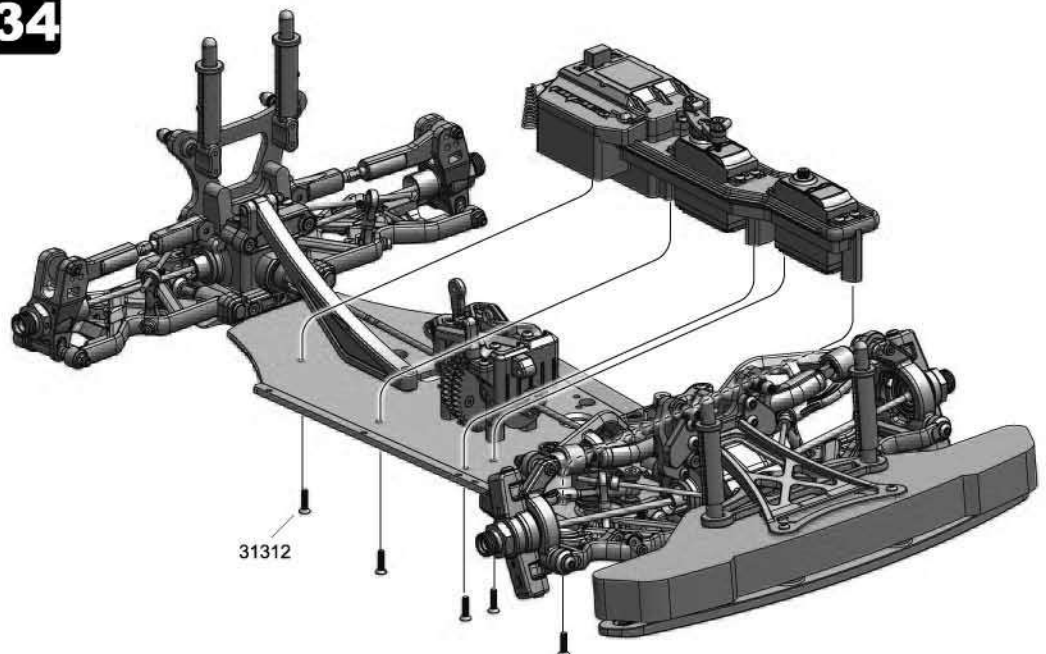


## Radio Tray Unit Assembly







31312  
3x12mm x5  
F/H Screw

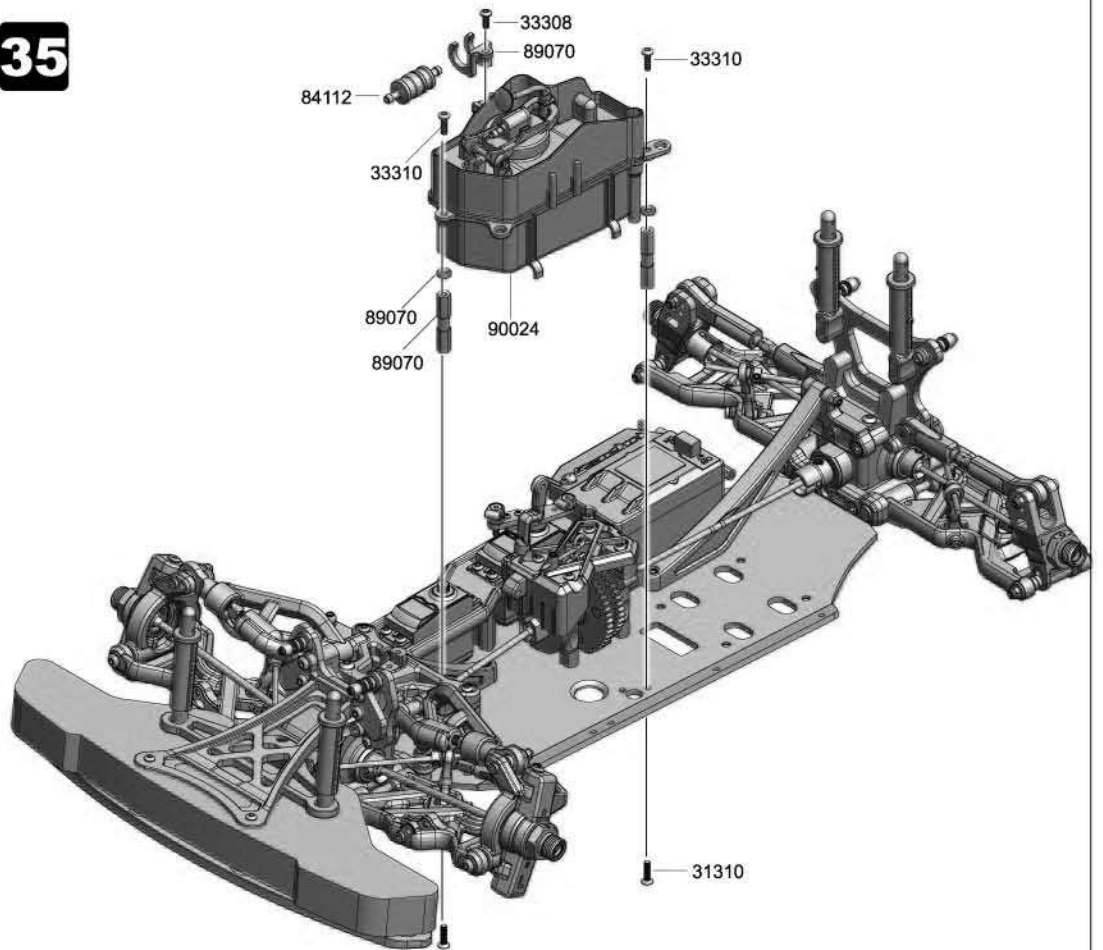
**34**










# Fuel Tank Assembly

-  33308  
3x8mm x1  
B/H Screw
-  33310  
3x12mm x2  
B/H Screw
-  31310  
3x10mm x2  
F/H Screw
-  89070  
4x8mm x2  
O-Ring

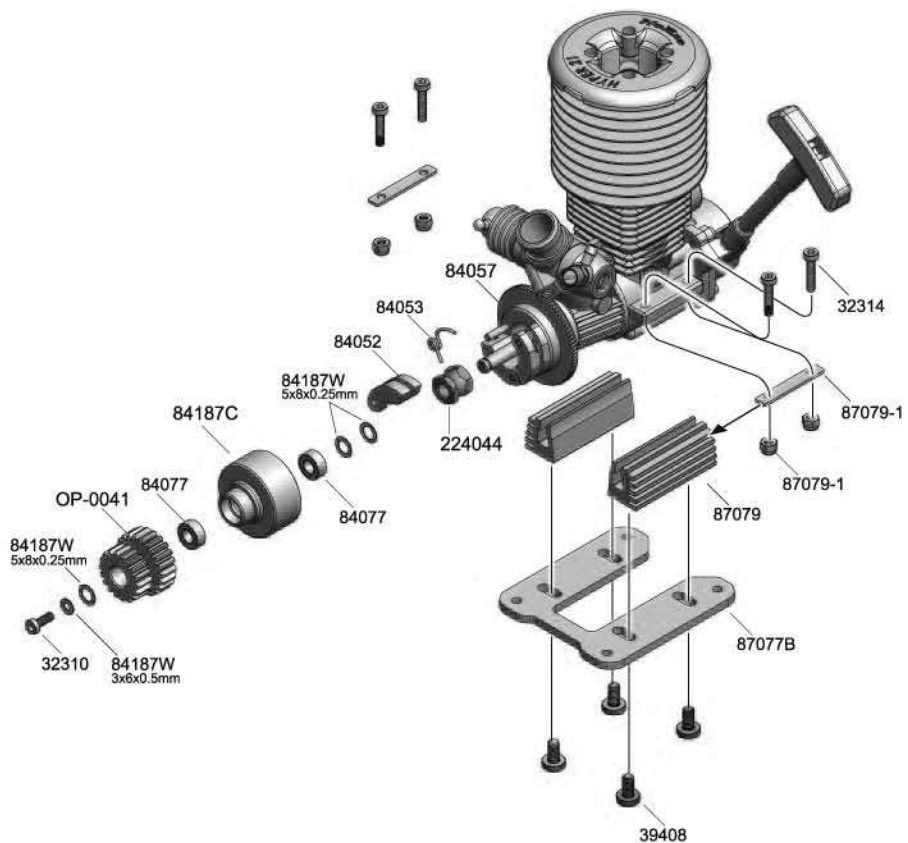
**35**



# Engine Mount/Clutch Assembly

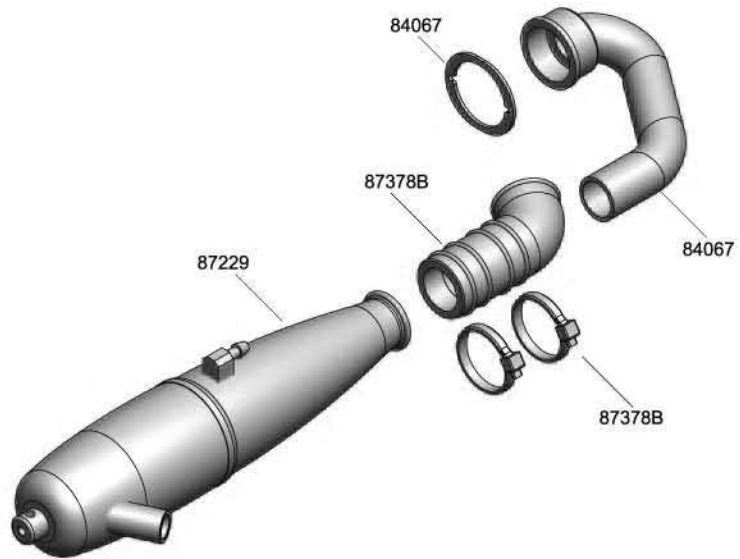
-  39408  
4x8mm x4  
Engine Screw
-  32314  
3x14mm x4  
Cap Screw
-  32310  
3x10mm x1  
Cap Screw
-  87079-1  
M3 Nut x4
-  84187W  
3x6x0.5mm x1  
Washer
-  84187W  
5x8x0.25mm x3  
Washer
-  84077  
5x10x4mm x2  
Ball Bearing

**36**



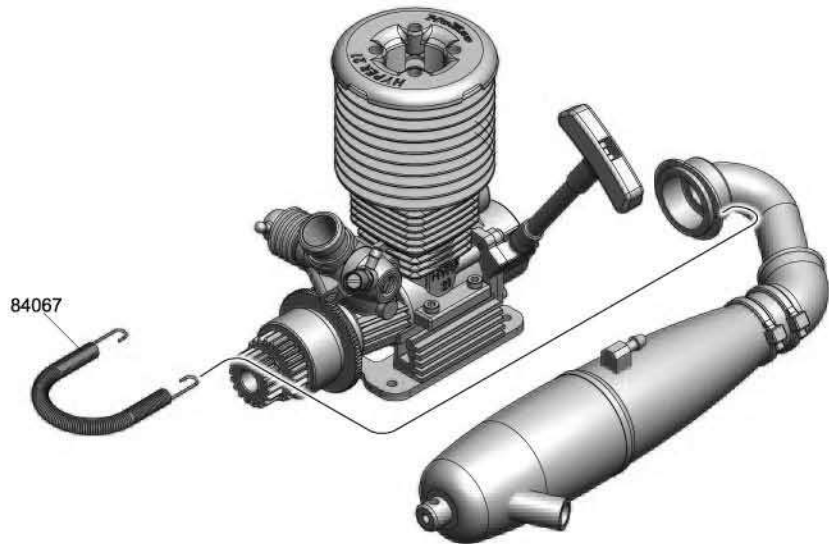
## Manifold/Muffler Assembly

**37**



## Muffler Assembly

**38**



## Engine Unit Assembly

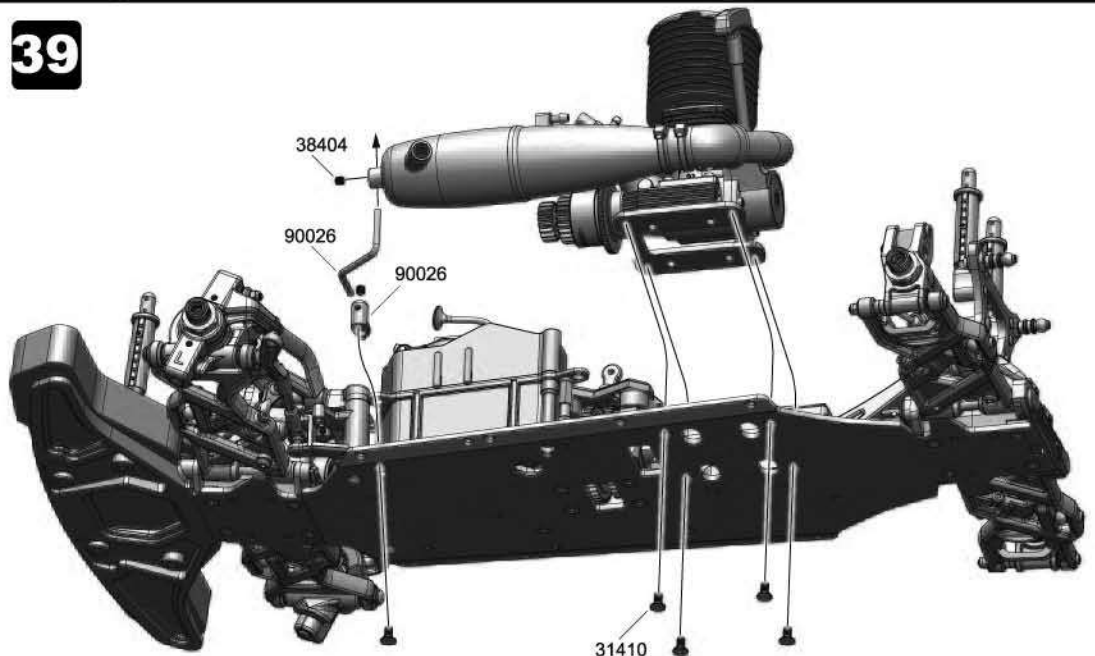
**39**



38404  
4x4mm x2  
Set Screw





31410  
4x10mm x5  
F/H Screw

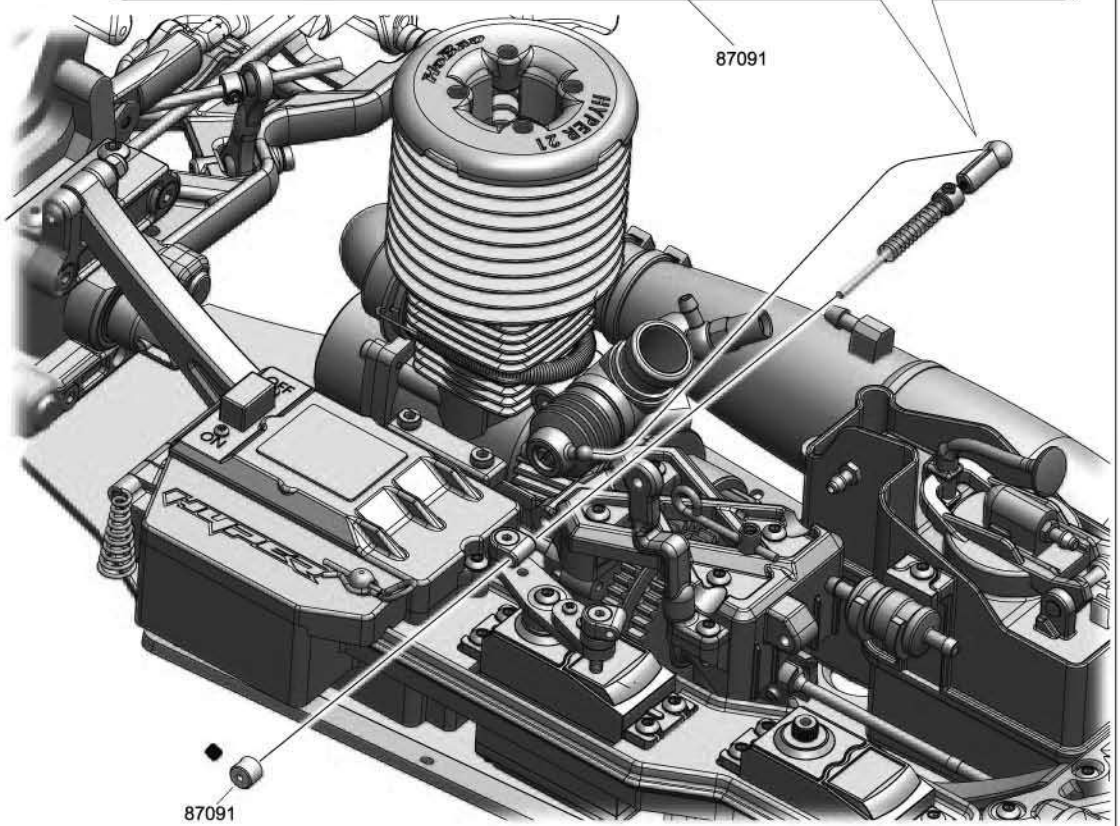









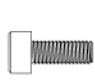
# Throttle Link Assembly

-  87091  
3x3mm x2  
Set Screw
-  87091  
Collet x2

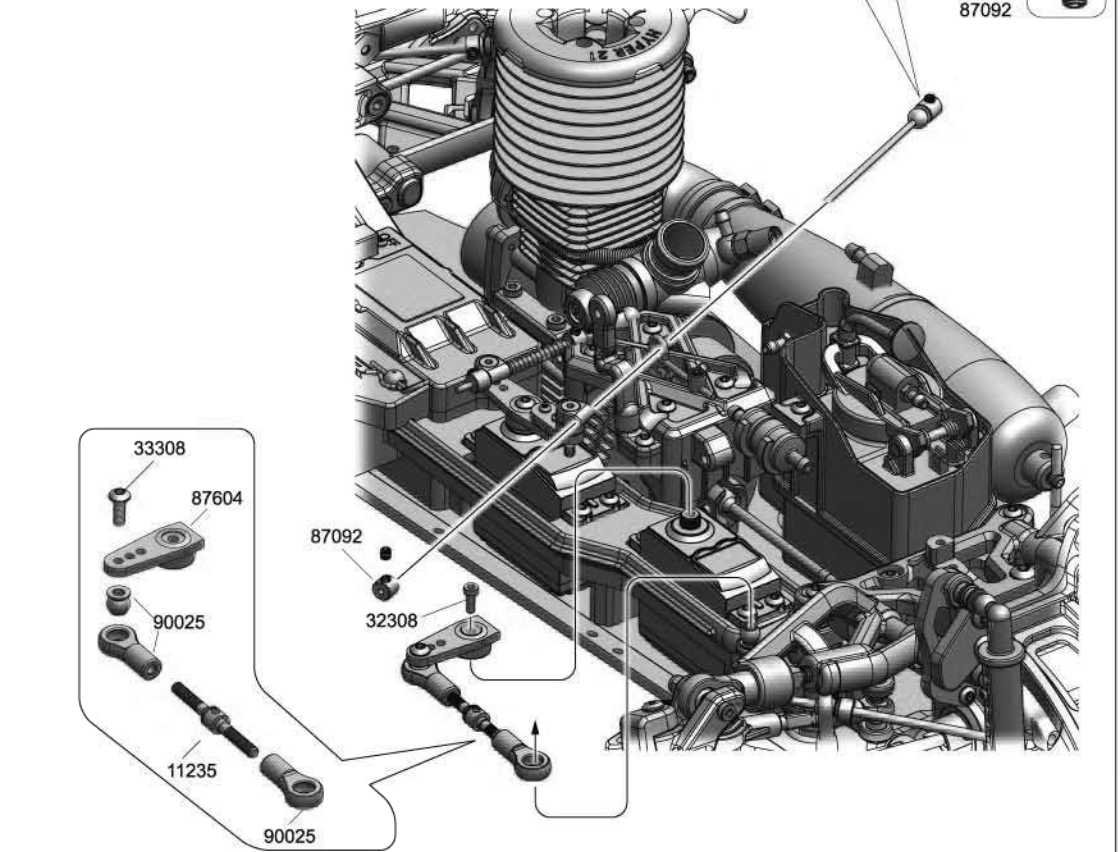
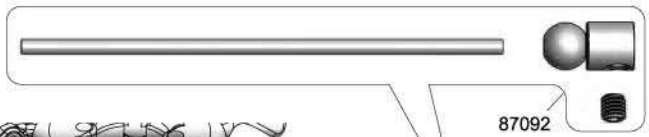
**40**



# Steering/Brake Link Assembly

-  87092  
3x3mm x2  
Set Screw
-  87092  
Pivot ball x1
-  33308  
3x8mm x1  
B/H Screw
-  90025  
5.8mm x1  
Ball Flanged
-  87092 x1  
Collet
-  32308  
3x8mm x1  
Cap Screw

**41**

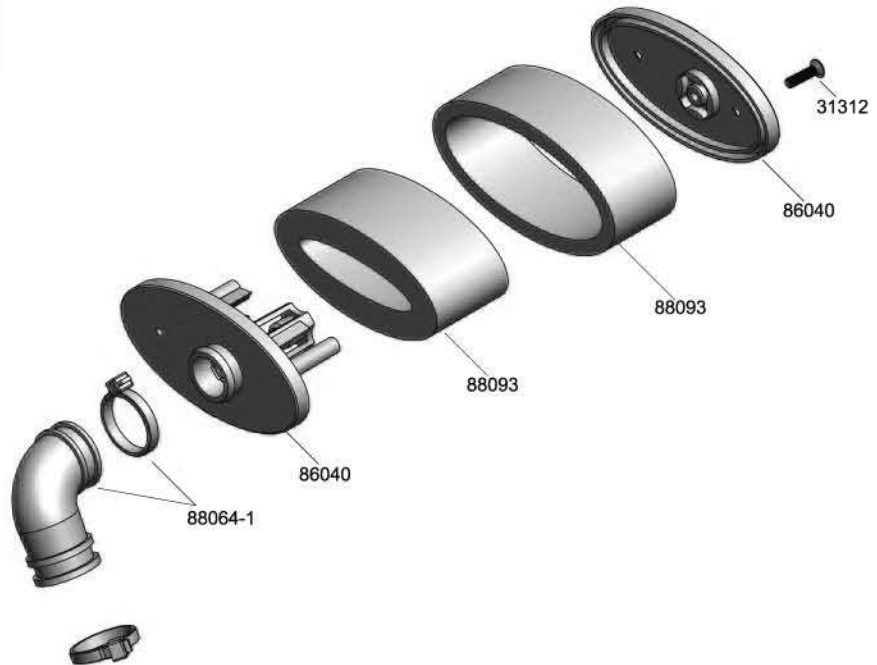


## Air Filter Assembly 1



31312  
3x12mm x1  
F/H Screw

**42**

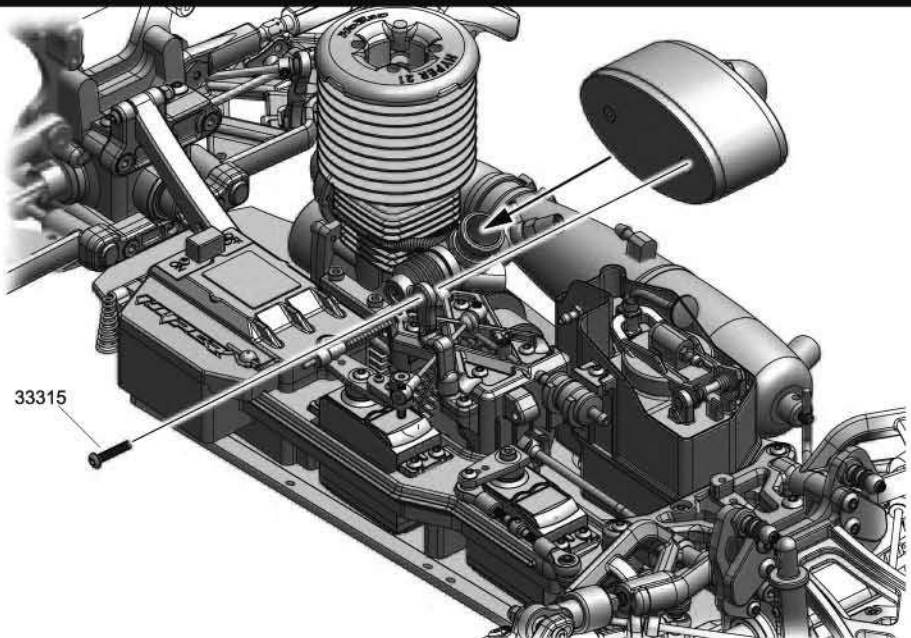


## Air Filter Assembly 2



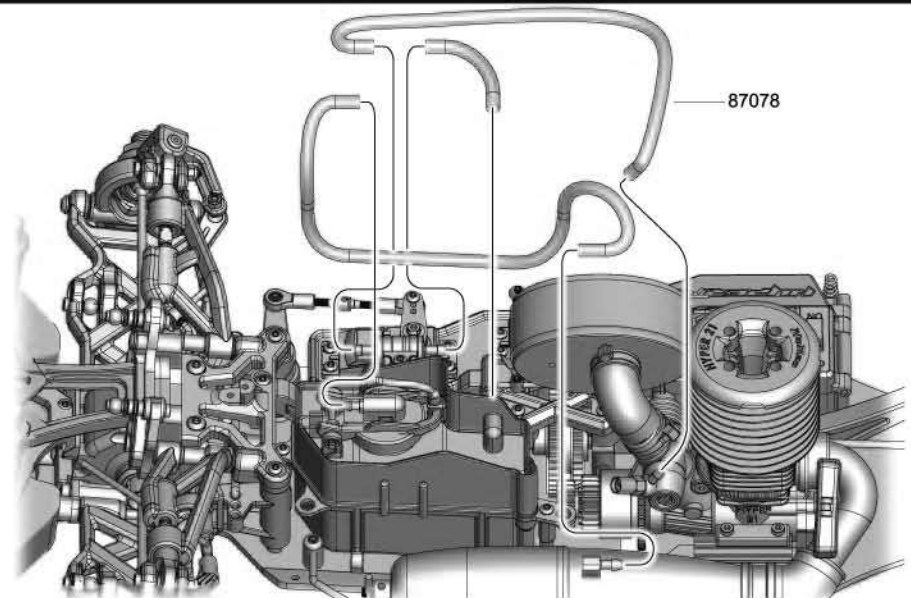
33315  
3x15mm x1  
B/H Screw

**43**



## Fuel Line Assembly

**44**

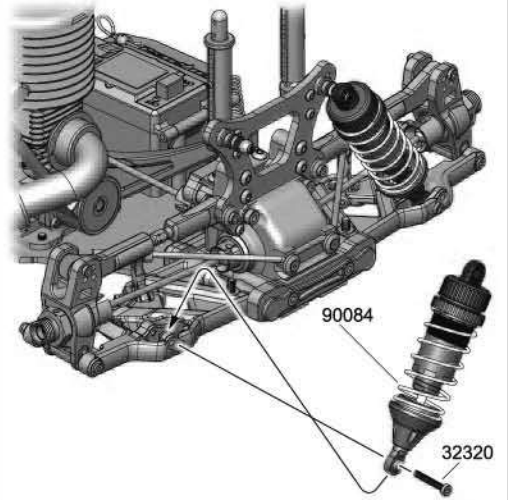
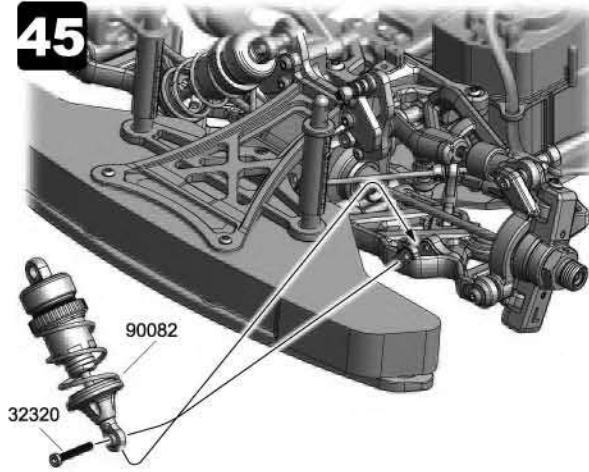


# Front/Rear Shock Assembly



32320  
3x20mm x4  
Cap Screw

**45**



# Body/Tire Assembly

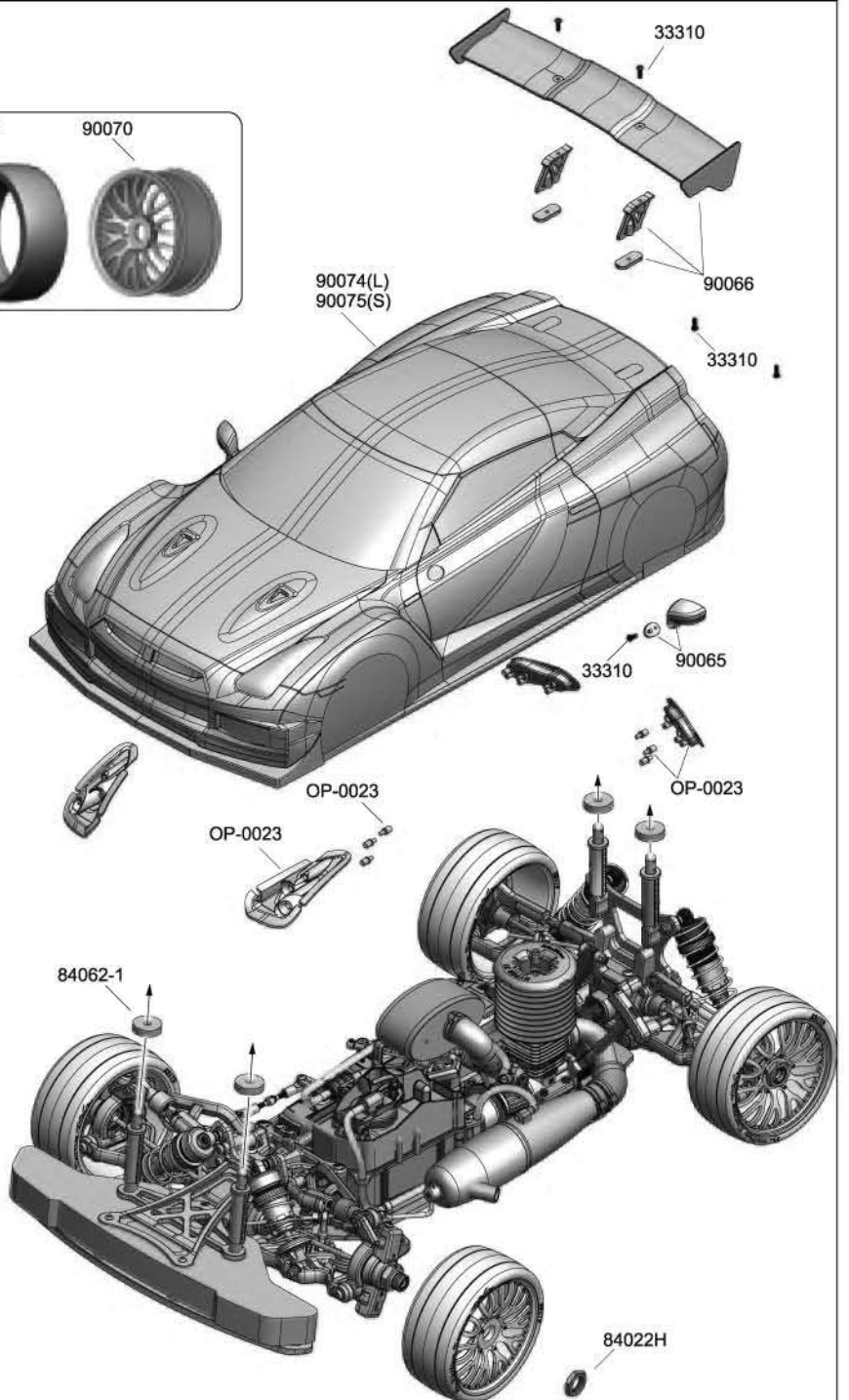
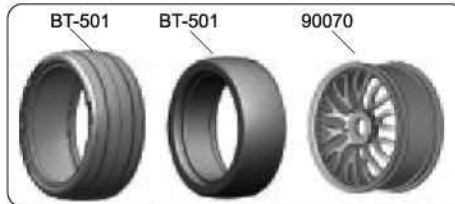


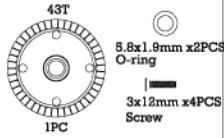
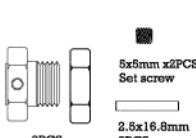
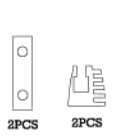
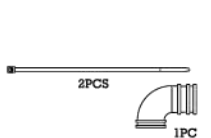
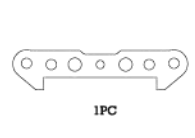
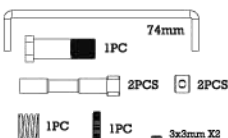
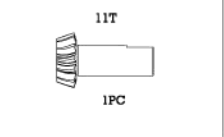

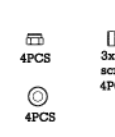
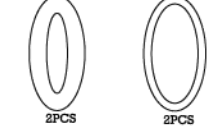
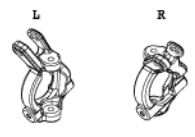

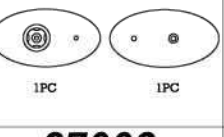
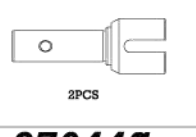

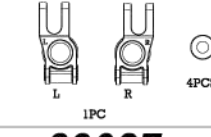
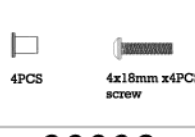
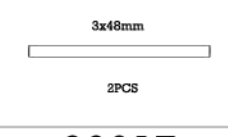




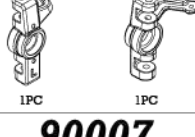
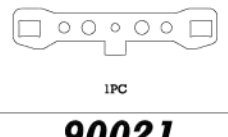


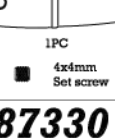

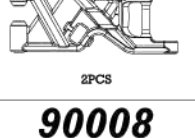




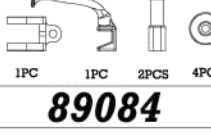
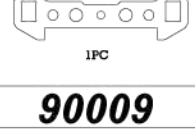
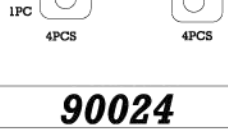

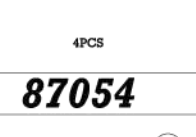

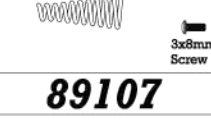
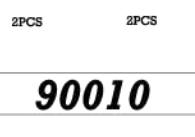

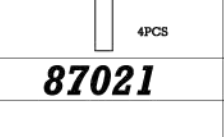

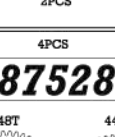
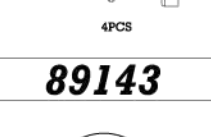


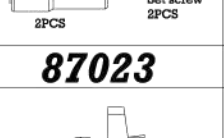

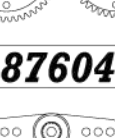
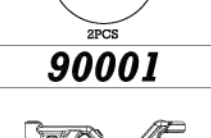
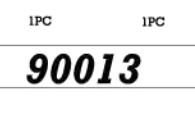

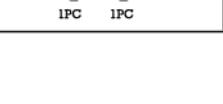


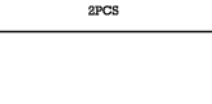
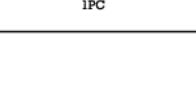

84022H  
Wheel Hex Nut x4

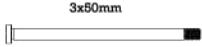

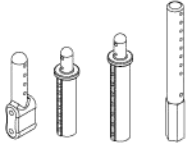

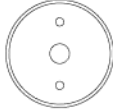





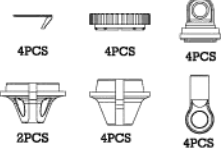
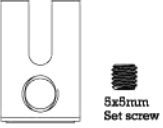
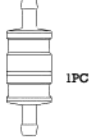
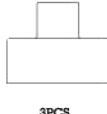
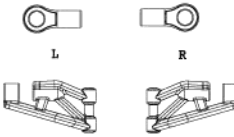


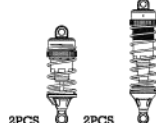
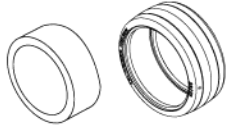
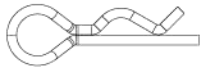
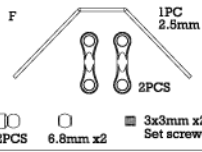




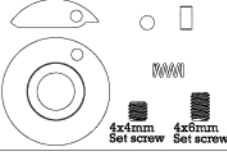
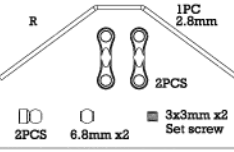

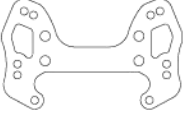


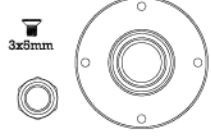
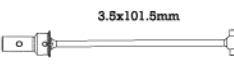
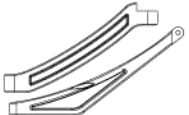
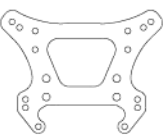
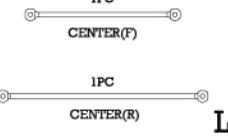

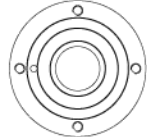
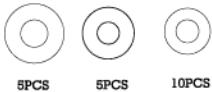


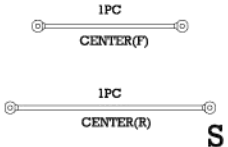
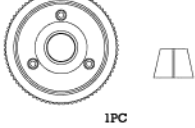

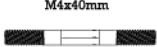
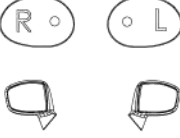
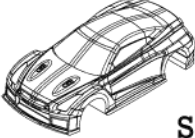
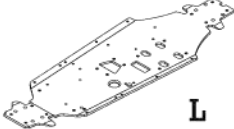



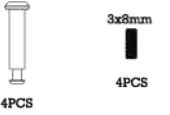
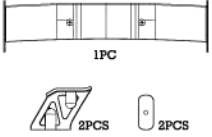

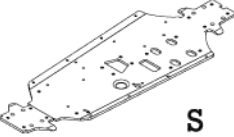
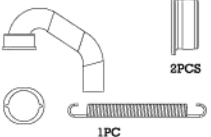
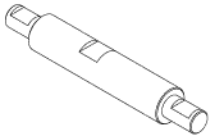

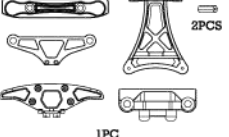

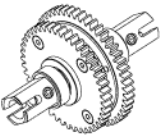

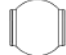


33310  
3x10mm x6  
B/H Screw


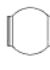

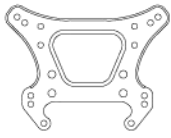

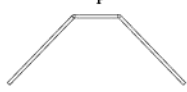


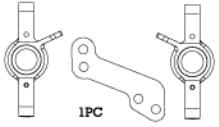

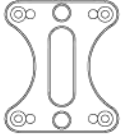
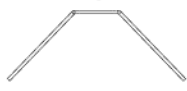
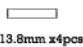
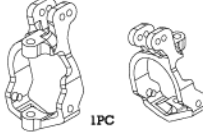

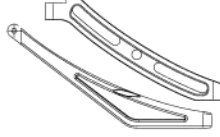
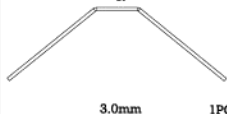

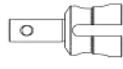
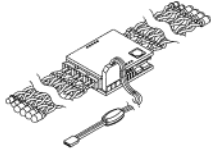
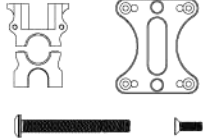
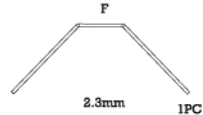


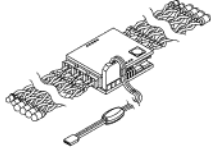
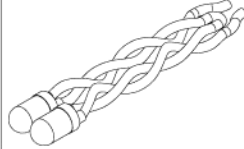


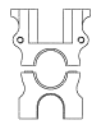
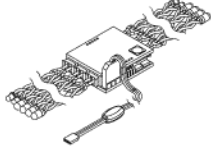

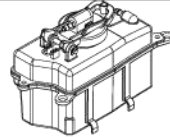


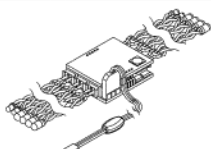

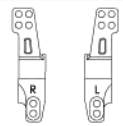

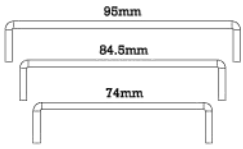




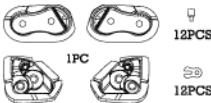




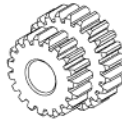

**46**



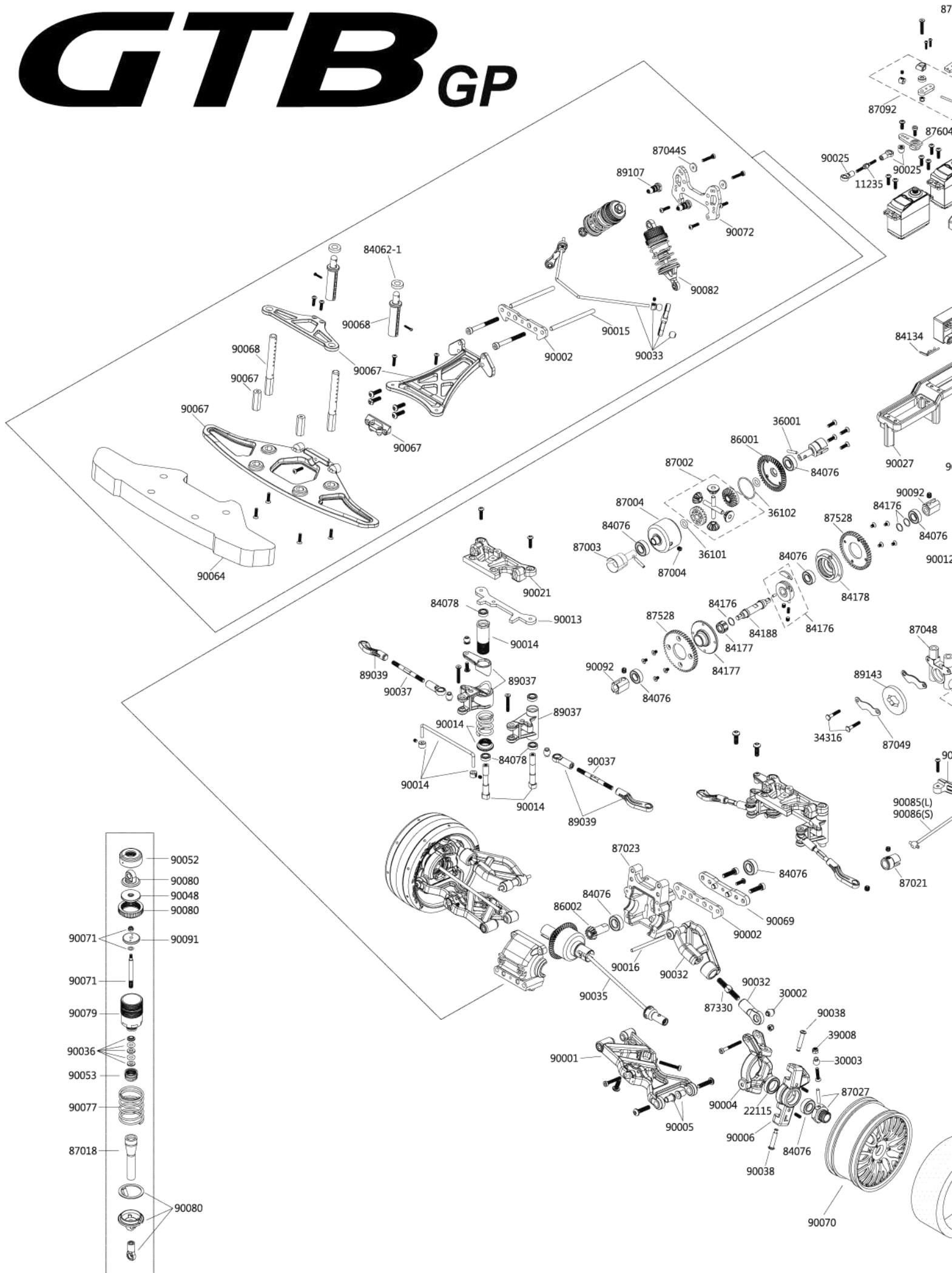
<b>86001</b> 	<b>87027</b> 	<b>87079</b> 	<b>88064-1</b> 	<b>90002</b> 	<b>90014</b> 
<b>86002</b> 	<b>87027-1</b> 	<b>87079-1</b> 	<b>88093</b> 	<b>90004</b> 	<b>90015</b> 
<b>86040</b> 	<b>87037</b> 	<b>87091</b> 	<b>89027</b> 	<b>90005</b> 	<b>90016</b> 
<b>87002</b> 	<b>87044S</b> 	<b>87092</b> 	<b>89037</b> 	<b>90006</b> 	<b>90017</b> 
<b>87003</b> 	<b>87048</b> 	<b>87229</b> 	<b>89039</b> 	<b>90007</b> 	<b>90021</b> 
<b>87004</b> 	<b>87049</b> 	<b>87330</b> 	<b>89070</b> 	<b>90008</b> 	<b>90022</b> 
<b>87005-1</b> 	<b>87050</b> 	<b>87356-1</b> 	<b>89084</b> 	<b>90009</b> 	<b>90024</b> 
<b>87018</b> 	<b>87054</b> 	<b>87378B</b> 	<b>89107</b> 	<b>90010</b> 	<b>90025</b> 
<b>87021</b> 	<b>87077B</b> 	<b>87528</b> 	<b>89143</b> 	<b>90012</b> 	<b>90026</b> 
<b>87023</b> 	<b>87078</b> 	<b>87604</b> 	<b>90001</b> 	<b>90013</b> 	<b>90027</b> 

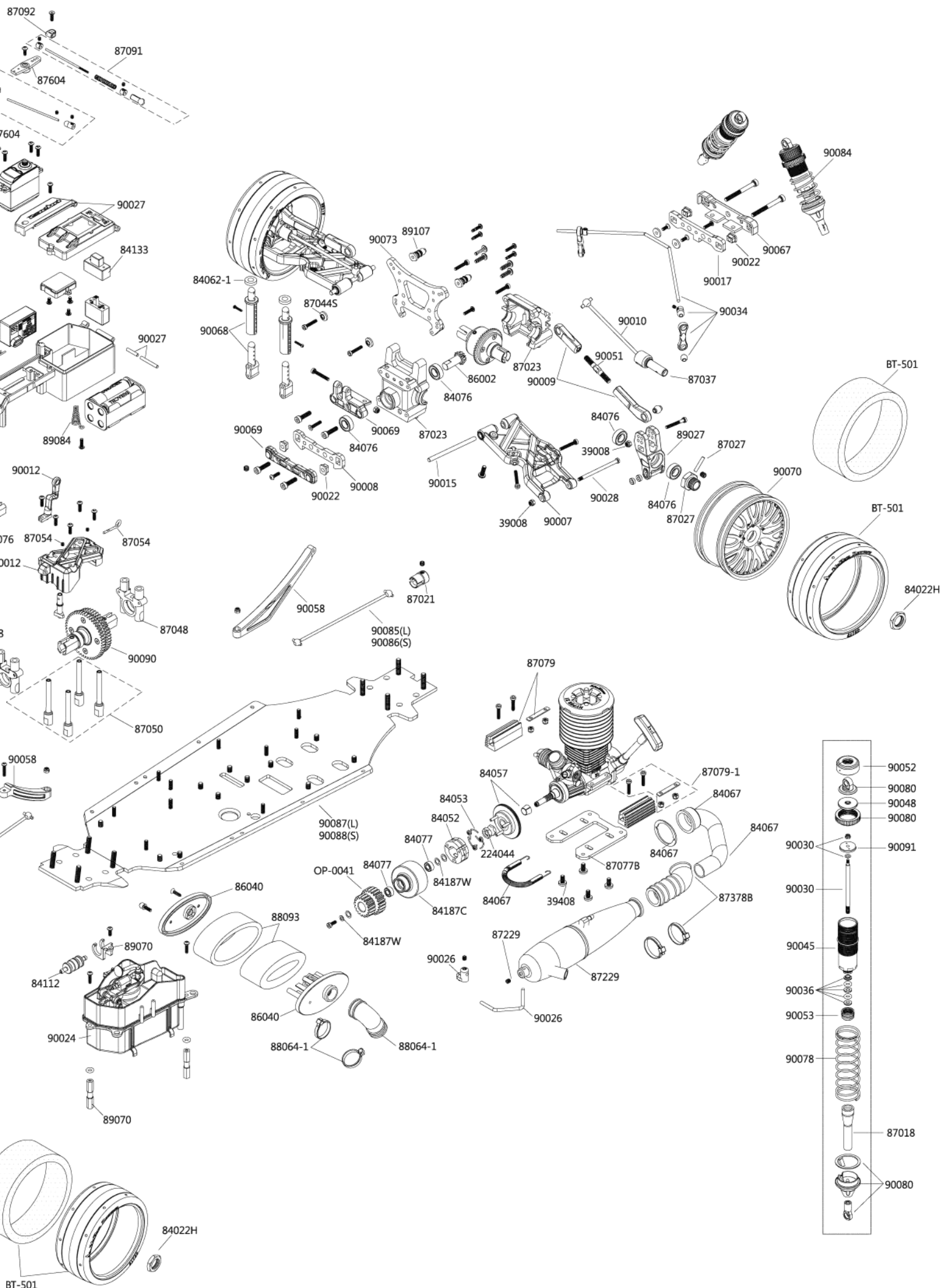
<b>90028</b>  2PCS	<b>90048</b>  4PCS	<b>90068</b>  2PCS	<b>90079</b>  2PCS	<b>90091</b>  4PCS	<b>84077</b>  5x10mmx4 x4PCS	<b>84078</b>  6x10mmx3 x4PCS
<b>90030</b>  2PCS	<b>90050</b>  2PCS	<b>90069</b>  1PC 1PC 1PC 1PC	<b>90080</b>  4PCS 4PCS 4PCS 2PCS 4PCS 4PCS	<b>90092</b>  5x5mm Set screw	<b>84112</b>  1PC	<b>84133</b>  3PCS
<b>90032</b>  L R	<b>90051</b>  2PCS	<b>90070</b>  2PCS	<b>90081</b>  2PCS 2PCS	<b>BT-501</b> 	<b>84134</b> 	
<b>90033</b>  1PC 2.5mm 2PCS 2PCS 6.8mm x2 3x3mm x2 Set screw	<b>90052</b>  2PCS	<b>90071</b>  2PCS	<b>90082</b>  2PCS	<b>84022H</b>  4PCS	<b>84176</b>  4x4mm Set screw 4x6mm Set screw	
<b>90034</b>  1PC 2.8mm 2PCS 2PCS 6.8mm x2 3x3mm x2 Set screw	<b>90053</b>  2PCS	<b>90072</b> 	<b>90084</b>  2PCS	<b>84052</b>  3PCS	<b>84177</b>  3x6mm	
<b>90035</b>  2PCS	<b>90058</b> 	<b>90073</b> 	<b>90085</b>  1PC CENTER(F) 1PC CENTER(R) L	<b>84053</b>  4PCS	<b>84178</b> 	
<b>90036</b>  5PCS 5PCS 10PCS	<b>90064</b> 	<b>90074</b>  L	<b>90086</b>  1PC CENTER(F) 1PC CENTER(R) S	<b>84057</b>  1PC	<b>84187C</b> 	
<b>90037</b>  2PCS	<b>90065</b>  R L	<b>90075</b>  S	<b>90087</b>  L	<b>84062-1</b>  10PCS	 3x6x0.5mm 6PCS  5x8x0.25mm 6PCS	
<b>90038</b>  4PCS 3x6mm 4PCS	<b>90066</b>  1PC 2PCS 2PCS	<b>90077</b>  2PCS	<b>90088</b>  S	<b>84067</b>  1PC 2PCS	<b>84188</b> 	
<b>90045</b>  2PCS	<b>90067</b>  2PCS 1PC	<b>90078</b>  2PCS	<b>90090</b> 	<b>84076</b>  8x16mmx5 x4PCS	 7.8mm x4PCS	

# TOURING CAR

<b>30003</b>  6PCS	<b>30004</b>  6.8mm x4PCS	<b>OP-0001</b>  2PCS 2PCS 2PCS	<b>OP-0025</b> 	<b>OP-0043</b> 20-24T 	<b>87329</b> F  2.4mm 1PC
<b>30005</b>  7.8mm x4PCS	<b>34316</b>  3x16.5mm x4PCS	<b>OP-0002</b>  1PC	<b>OP-0026</b>  L	<b>OP-0049</b> 	<b>87329-2</b> F  2.6mm 1PC
<b>36001</b>  2.5x13.8mm x4pcs	<b>OP-0003</b>  1PC	<b>OP-0027</b>  S	<b>OP-0050</b> 	<b>87329-3</b> R  3.0mm 1PC	
<b>36101</b>  5.8x1.9mm x10pcs O-ring	<b>OP-0004</b>  4PCS	<b>OP-0032</b> 	<b>OP-0052</b> 	<b>87356</b> F  2.3mm 1PC	
<b>36102</b>  22x0.9mm x6pcs O-ring	<b>OP-0005</b>  1PC	<b>OP-0033</b> 	<b>OP-0053</b> 	<b>88036</b>  3PCS	
<b>39008</b>  M3 x10PCS	<b>OP-0006</b>  2PCS	<b>OP-0034</b> 	<b>OP-0054</b> 	<b>89069</b> 	
<b>39408</b>  4x8mm x5PCS	<b>OP-0009</b>  2PCS	<b>OP-0035</b> 	<b>OP-0055</b> 	<b>89147</b>  R L	
<b>22115</b>  12x16x4mm	<b>OP-0019</b> 95mm 84.5mm 74mm 	<b>OP-0040</b> 17-21T 	<b>OP-0056</b> 	<b>89635</b> CNC F  1PC	
<b>224044</b>  2PCS	<b>OP-0023</b> 4PCS  12PCS 12PCS 1PC 12PCS	<b>OP-0041</b> 18-22T 	<b>86121</b>  3PCS 3PCS		
<b>11235</b>  3x36.5mm 2PCS	<b>OP-0024</b> 	<b>OP-0042</b> 19-23T 	<b>87077C</b>  2PCS 1PC		

# GTB<sub>GP</sub>







STANDARD PARTS		90005	C-HUB BUSHING	90073	REAR SHOCK TOWER
86001	CROWN GEAR 43T	90006	STEERING KNUCKLE SET	90074	BODY - LONG
86002	DIFFERENTIAL PINION GEAR 11T	90007	REAR LOWER ARM SET	90075	BODY - SHORT
86040	AIR FILTER BASE AND CAP	90008	REAR LOWER ALUM ARM HOLDER - A PLATE	90077	FRONT SHOCK SPRING
87002	BEVEL GEAR SET	90009	REAR SUSPENSION ARM BALL END 7.8MM	90078	REAR SHOCK SPRING
87003	DIFFERENTIAL OUTDRIVE CUP	90010	AXLE	90079	FRONT SHOCK BODY
87004	DIFFERENTIAL CASE	90012	CENTER DIFFERENTIAL TOP PLATE/AIR FILTER HOLDER	90080	SHOCK NYLON SET
87005-1	SPACER 6.2x13.9x0.3MM	90013	FRONT ALUM TOP PLATE	90081	FRONT/REAR SHOCK SET
87018	SHOCK BOOTS	90014	SERVO SAVER SET	90082	FRONT SHOCK SET
87021	OUTDRIVE CUP	90015	PIN 4x63MM	90084	REAR SHOCK SET
87023	GEAR BOX	90016	PIN 3x48MM	90085	FRONT/REAR CENTER DRIVE SHAFT SET - L
87027	WHEEL HUB SET	90017	REAR LOWER ALUM ARM HOLDER - B PLATE	90086	FRONT/REAR CENTER DRIVE SHAFT SET - S
87027-1	PIN 2.5x16.8MM	90021	FRONT TOP PLATE HOLDER	90087	CHASSIS - LONG
87037	AXLE CUP	90022	ADJUSTABLE INSERT SET	90088	CHASSIS - SHORT
87044S	ALUM COLLAR	90024	FUEL TANK 150cc	90090	2-SPEED SPUR GEAR SET
87048	CENTER DIFFERENTIAL MOUNT	90025	BALL END/BALL FLANGED 5.8MM	90091	SHOCK PISTON
87049	BRAKE PAD	90026	MUFFLER MOUNT SET	90092	2-SPEED OUTDRIVE CUP
87050	CENTER DIFFERENTIAL MOUNT POST	90027	RADIO TRAY SET	BT-501	TIRE WITH INSERT
87054	BRAKE CAM SET	90028	SCREW M3x50MM	84022H	WHEEL HEX NUT
87077B	ENGINE MOUNT PLATE	90030	FRONT SHOCK SHAFT(REAR SHOCK SHAFT FOR GTB)	84052	CLUTCH SHOE
87078	FUEL TUBE	90032	FRONT UPPER ARM SET	84053	CLUTCH SPRING
87079	ENGINE MOUNT	90033	FRONT STABILIZER SET	84057	FLYWHEEL
87079-1	ENGINE MOUNT SPACER & SCREW SET	90034	REAR STABILIZER SET	84062-1	BODY FOAM SPACER
87091	THROTTLE LINKAGE SET	90035	CVD SHAFT	84067	MANIFOLD SET
87092	BRAKE LINKAGE SET	90036	SHOCK ABSORBER REPAIR SET	84076	BEARING 8x16x5MM
87229	MUFFLER	90037	TURNBUCKLE 4x40MM	84077	BEARING 5x10x4MM
87330	TURNBUCKLE M5x31	90038	HINGE PIN	84078	BEARING 6x10x3MM
87356-1	FRONT ANTI-ROLL BAR 2.5MM	90045	FRONT SHOCK BODY(REAR SHOCK BODY FOR GTB)	84112	FUEL FILTER
87378B	MUFFLER SILICON TUBE	90048	SHOCK BLADDER	84133	SWITCH COVER - BLUE
87528	SPUR GEAR 44T/48T FOR 2-SPEED	90050	BALL FLANGED 6.8MM	84134	BODY CLIP
87604	SERVO HORN	90051	TURNBUCKLE 5x38MM	84176	CLUTCH SET FOR 2-SPEED
88064-1	INTAKE TUBE	90052	SHOCK CAP TOP	84177	GEAR HUB #A# FOR 2-SPEED
88093	AIR FILTER FOAM	90053	SHOCK CAP BOTTOM	84178	GEAR HUB #B# FOR 2-SPEED
89027	REAR HUB SET	90058	FRONT/REAR CHASSIS STIFFENER SET	84187C	CLUTCH BELL FOR 2-SPEED
89037	SERVO SAVER ARM SET	90064	FRONT BUMPER FOAM	84187W	CLUTCH BELL WASHER
89039	NYLON STEERING BALL END 6.8MM	90065	SIDE MIRROR	84188	MAIN SHAFT(M6) FOR 2-SPEED
89070	FUEL TANK POST & MOUNT	90066	REAR SPOILER	30002	BALL LONG 7.8MM
89084	ANTENNA PIPE AND POST	90067	BUMPER SET	30003	STEERING BALL 6.8MM
89107	SHOCK BALL STUD 6.8MM	90068	BODY POST	30004	BALL 6.8MM
89143	FIBER BRAKE DISK	90069	FRONT/REAR LOWER NYLON ARM HOLDER - C PLATE	30005	BALL FLANGED 7.8MM
90001	FRONT LOWER ARM SET	90070	WHEEL	34316	BRAKE SCREW M3x16.5MM
90002	FRONT LOWER ALUM ARM HOLDER - A PLATE	90071	FRONT SHOCK SHAFT	36001	PIN 2.5x13.8MM
90004	L/R C-HUB SET	90072	FRONT SHOCK TOWER	36101	O-RING 5.8x1.9MM

		SCREW		OPTIONAL PARTS	
36102	O-RING 22x0.9MM				
39008	M3 NYLON NUT	31305	M3 X 5 FLAT HEAD SCREW	OP-0001	WHEEL HEX
39408	ENGINE MOUNT SCREW	31310	M3 X 10 FLAT HEAD SCREW	OP-0002	CNC STEERING KNUCKLE SET
22115	BEARING 12x18x4MM	31312	M3 X 12 FLAT HEAD SCREW	OP-0003	CNC L/R C-HUB SET
224044	FLYWHEEL NUT	31315	M3 X 15 FLAT HEAD SCREW	OP-0004	LIGHT WEIGHT DIFFERENTIAL OUTDRIVE CUP
11235	TURNBUCKLE 3x36.5MM	31317	M3 X 17 FLAT HEAD SCREW	OP-0005	LIGHT WEIGHT FLYWHEEL
		31318	M3 X 18 FLAT HEAD SCREW	OP-0006	CNC CENTER DIFFERENTIAL MOUNT
		31320	M3 X 20 FLAT HEAD SCREW	OP-0009	REAR UNIVERSAL DRIVE SHAFT
		31408	M4 X 8 FLAT HEAD SCREW	OP-0019	ACKERMAN ROD SET
		31410	M4 X 10 FLAT HEAD SCREW	OP-0023	LED LIGHT HOUSING
		31414	M4 X 14 FLAT HEAD SCREW	OP-0024	CNC LIGHT WEIGHT FRONT SHOCK TOWER
		32306	M3 X 6 CAP HEAD SCREW	OP-0025	CNC LIGHT WEIGHT REAR SHOCK TOWER
		32308	M3 X 8 CAP HEAD SCREW	OP-0026	CLEAR BODY -LONG
		32310	M3 X 10 CAP HEAD SCREW	OP-0027	CLEAR BODY -SHORT
		32314	M3 X 14 CAP HEAD SCREW	OP-0032	MULTI-MODE IR LED CONTROLLER UNIT
		32316	M3 X 16 CAP HEAD SCREW	OP-0033	MULTI-MODE LED CONTROLLER UNIT
		32320	M3 X 20 CAP HEAD SCREW	OP-0034	SINGLE-MODE LED CONTROLLER UNIT - 8.4V
		32325	M3 X 25 CAP HEAD SCREW	OP-0035	SINGLE-MODE LED CONTROLLER UNIT - 6.0V
		32415	M4 X 15 CAP HEAD SCREW	OP-0040	2-SPEED SPUR GEAR 17T/21T
		32440	M4 X 40 CAP HEAD SCREW	OP-0041	2-SPEED SPUR GEAR 18T/22T
		33305	M3 X 5 BUTTON HEAD SCREW	OP-0042	2-SPEED SPUR GEAR 19T/23T
		33308	M3 X 8 BUTTON HEAD SCREW	OP-0043	2-SPEED SPUR GEAR 20T/24T
		33308T	M3 X 8 BUTTON HEAD TAP SCREW	OP-0049	CNC CENTER DIFF. TOP PLATE
		33310	M3 X 10 BUTTON HEAD SCREW	OP-0050	CNC F/R CHASSIS STIFFENER SET
		33312	M3 X 12 BUTTON HEAD SCREW	OP-0052	CNC CENTER DIFF. MOUNT SET
		33315	M3 X 15 BUTTON HEAD SCREW	OP-0053	ORANGE LED SET - 3MM
		33414	M4 X 14 BUTTON HEAD SCREW	OP-0054	RED LED SET - 5MM
		34316	M3 X 16 HEX SCREW	OP-0055	BLUE LED SET - 5MM
		35208	M2 X 8 BUTTON HEAD SCREW	OP-0056	WHITE LED SET - 5MM
		35210	M2 X 10 BUTTON HEAD SCREW	86121	CNC CLUTCH SHOES
		35212T	M2 X 12 BUTTON HEAD TAP SCREW	87077C	CNC LIGHT WEIGHT ENGINE MOUNT PLATE
		35412	M4 X 12 BUTTON HEAD SCREW	87329	FRONT ANTI-ROLL BAR 2.4MM
		35418	M4 X 18 BUTTON HEAD SCREW	87329-2	FRONT ANTI-ROLL BAR 2.6MM
		38303	M3 X 3 SET SCREW	87329-3	REAR ANTI-ROLL BAR 3.0MM
		38308	M3 X 8 SET SCREW	87356	FRONT ANTI-ROLL BAR 2.3MM
		38404	M4 X 4 SET SCREW	89069	FUEL TANK 125cc
		38406	M4 X 6 SET SCREW	89147	CNC REAR WHEEL HUB
		38504	M5 X 4 SET SCREW	89635	CNC FUTABA SERVO HORN
		38505	M5 X 5 SET SCREW		
		39008	M3 NYLON NUT		



***HOB AO ENTERPRISING CO.,LTD.***

***www.hobao-racing.com***

***E-Mail:hobao@hobao.com.tw***

***Made in Taiwan***